

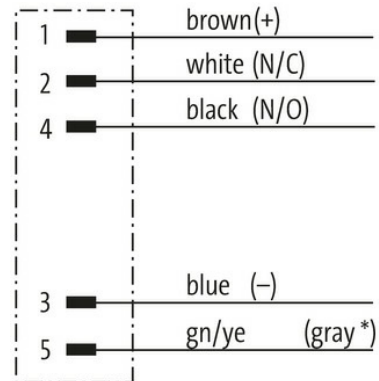
**M12 male recept. A-cod. front F&B**

PP-wires 5x0.34 0.5m

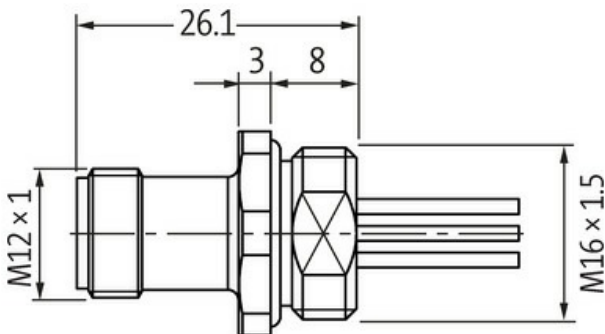
F&B  
 Flange male  
 M12, 5-pole  
 Front mounting  
 with multi-strand wire  
 Stainless steel 1.4404 (V4A)

[Link to Product](#)

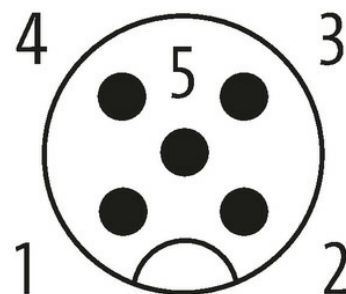
**Illustration**



(\* for cable type 902 and 972)



Male



Product may differ from Image



**Form**

Form 13521

**Technical Data**

Operating voltage max. 125 V AC/DC

Rated surge voltage	1.5 kV
Operating current per contact	max. 4 A
No. of poles	5
Material group	IEC 60664-1, category I
Coding	A-coded
LED display	no
Locking of ports	Screw thread (M12×1 mm) recommended torque 0.6 Nm, self-securing
Compression gland	M12 (SW14)
Protection NEMA	3, 4, 6P (UL 50E)
Material	Stainless steel 1.4404 (V4A)
Locking material	Stainless steel 1.4404 (V4A)
suitable for corrugated tube (internal Ø)	without

#### General data

Standards	DIN EN 61076-2-101 (M12)
Material (contact)	Copper alloy
Material (contact surface)	Au
Material (gasket)	EPDM
Pollution Degree	3
Temperature range	-25...+85 °C

#### Cables

No./diameter of wires	5× 0.34 mm <sup>2</sup>
Wire isolation	PUR (br, wh, bl, bk, gr)
Outer Ø	1.3 mm ±5%
Cable number	972
Material (wire)	Cu wire, tin plated
Resistor (core)	max. 58 Ω/km (20 °C)
Nominal voltage	300 V AC
Test voltage	1500 V AC
Temperature range (fixed)	-40...+90 °C
Temperature range (mobile)	-25...+90 °C

#### Commercial data

country of origin	DE
customs tariff number	85444290
EAN	4048879363624
eClass	27279218
Packaging unit	1.000