

SUPPRESSOR FOR CONTACTORS

Diode, 24...240 VDC, 50 W

24...240 V DC

Diode

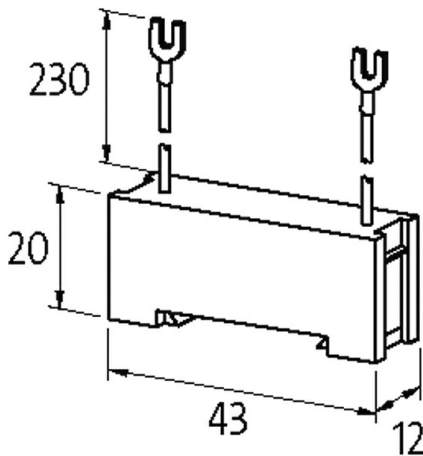
For other configurations and voltages, please inquire.

[Link to Product](#)

Illustration



Diode



Product may differ from Image



Technical Data

Input voltage	24...240 V DC
max. power (W)	50 W (VA)

General data

Temperature range	-20...+70 °C
Dimensions H×W×D	20×43×12 mm

Appropriate contactors

universal

Commercial data

country of origin	CZ
customs tariff number	85363010
EAN	4048879018647
eClass	27371013
Packaging unit	1.000