

M12 male 0° / M12 fem. 0° shielded 8p.

Specification: 6FX5002-2DC34-1DA0

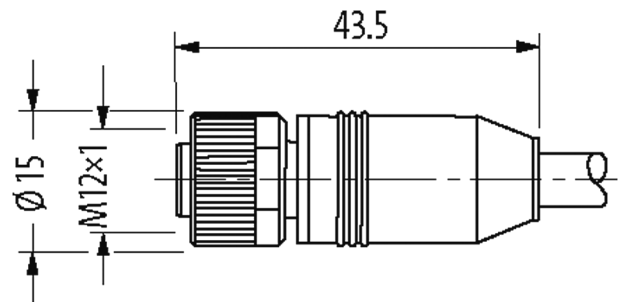
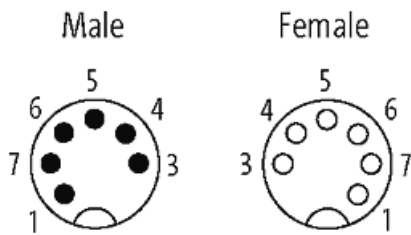
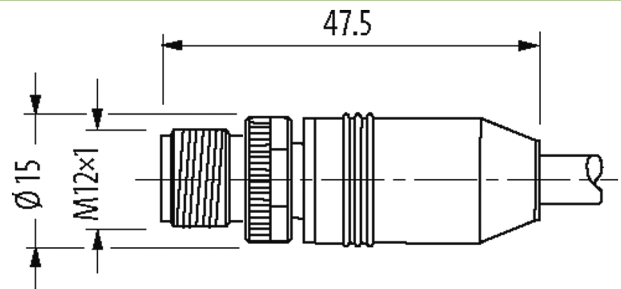
Male straight – female straight

M12 – M12, 8-pole

Further cable lengths on request.

Plastic housings with good resistance against chemicals and oils.

The resistance to aggressive media should be individually tested for your application. Further details on request.

Link to Product**Illustration**

Product may differ from Image

Form

Form SS081

Technical Data

| | |
|-------------------------------|--|
| Operating voltage | max. 30 V AC/DC |
| Operating current per contact | max. 2 A |
| Coding | A-coded |
| Locking of ports | Screw thread (M12x1 mm) recommended torque 0.6 Nm, self-securing |
| Compression gland | torque calibrated 0.6 Nm |
| Protection | IP67 |
| Material | Brass, nickel plated |

General data

Temperature range -25...+85 °C, depending on cable quality

Cables

| | |
|-----------------------|---------------------------|
| Cable number | 881 |
| No./diameter of wires | 2x 2x AWG24 + 1x 2x AWG22 |
| Wire isolation | PE (gnye, pkbl, rdbk) |
| C-track properties | 0.1 Mio. |
| Torsion stress | ±30°/m |
| Jacket Color | green |

| | |
|----------------------------|---------------|
| Material (jacket) | PVC (UL/CSA) |
| Specification | 6FX5008-1DC00 |
| Outer Ø | 6.9 mm ±5% |
| Bend radius (fixed) | 5× outer Ø |
| Bend radius (moving) | 20× outer Ø |
| Temperature range (fixed) | -20...+70 °C |
| Temperature range (mobile) | -5...+70 °C |
| Shield | yes |

Commercial data

| | |
|-----------------------|---------------|
| country of origin | DE |
| customs tariff number | 85444290 |
| EAN | 4048879579544 |
| eClass | 27061801 |
| Packaging unit | 1 |