

MOTOR SUPPRESSOR

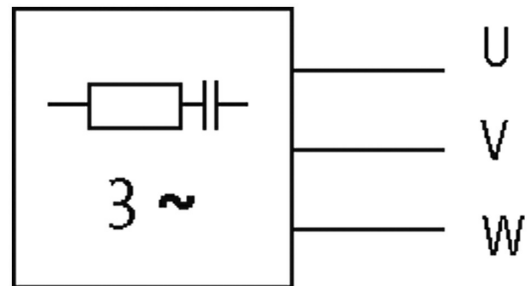
RC, 3x575VAC/7,5kW

3x 575 V AC

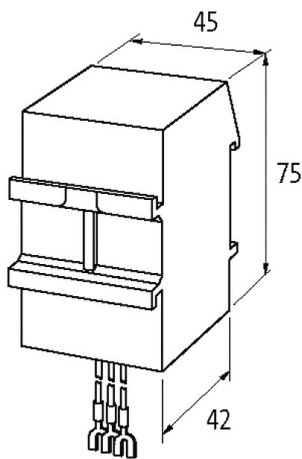
RC

with ferrule ends

Suppressors for other voltages, frequencies, and motor ratings available on request. Do not use RC motor suppressors with frequency inverters.

[Link to Product](#)**Illustration**

RC



Product may differ from Image

**Technical Data**

Frequency	50...60 Hz
Input voltage	575...575 V AC
Material	Flame retardant plastic acc. to (UL 94)
Potting compound	2-component epoxy

General data

The information in this brochure has been compiled with the utmost care. Liability for the correctness completeness and topicality of the information is restricted to gross negligence. Version: 03/22

Temperature range	-20...+60 °C
Connection	approx. 250 mm, single cores 0.5 mm ² (with ferrule ends)
Dimensions H×W×D	75×45×42 mm

Commercial data

country of origin	CZ
customs tariff number	85363010
EAN	4048879015820
eClass	27371013
Packaging unit	1.000