

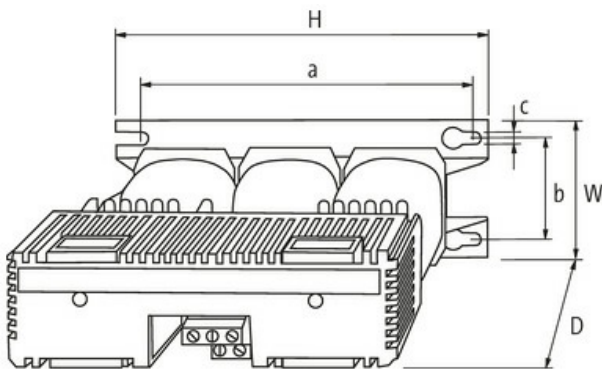
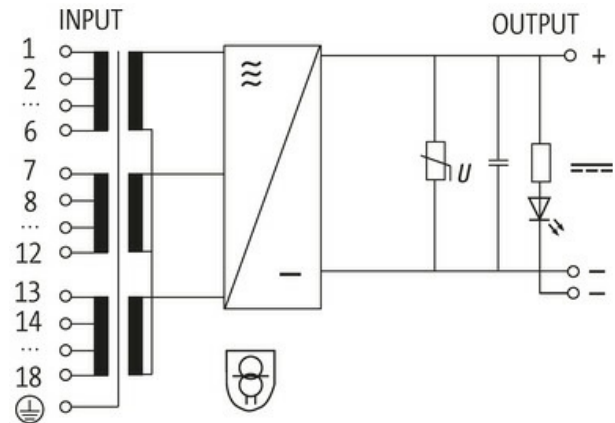
MPL POWER SUPPLY 3-PHASE, SMOOTHED

IN: 208-520VAC+/- 5% OUT: 24V/10ADC

Current: 10 A

Output rating: 240 W

This power supply units meet the (EN 61000-3-2) standard for harmonic current.

[Link to Product](#)**Illustration**

Product may differ from Image

**General data**

Standards	EN 61558-2-6, EN 62041 category I, EN 55011 B, EN 61000-3-2
Mounting method	Key-hole mounting
Temperature range	-20...+55 °C, for any mounting position at vertical wall, no condensation
Fixing centers a×b×c	164×74×6.5 mm
Efficiency	73%
Dimensions H×W×D	185×93×188 mm

Output

Output voltage	24 V DC (SELV)
Output fuse external	10 A (T)
Output suppression	LED, VDR and smoothing capacitor

The information in this brochure has been compiled with the utmost care.
Liability for the correctness completeness and topicality of the information is restricted to gross negligence. Version: 03/22

Output current	max. 10 A
Ripple	max. 2% eff/rms

Input

Input voltage	3× 208...520 V AC
Frequency	50..60 Hz

Commercial data

country of origin	CZ
customs tariff number	85044090
EAN	4048879079129
eClass	27049002
Packaging unit	1.000