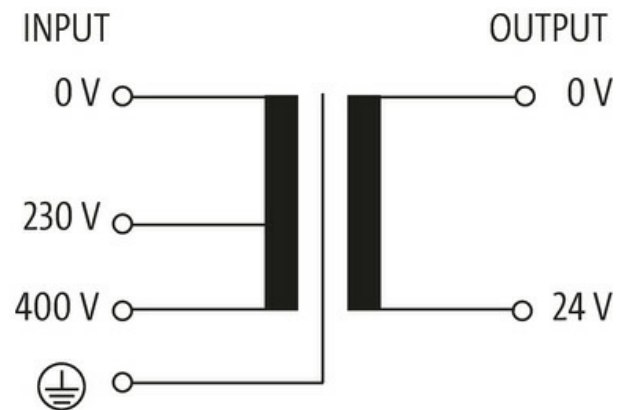


MST 1-PHASE SAFETY TRANSFORMER

P: 800VA IN: 230/400VAC OUT: 24VAC

Single-phase safety transformer
800 VA
Isolation class T 40/B
Other voltages on request.

[Link to Product](#)**Illustration**

Product may differ from Image

**General data**

Standards	EN 61558-1, EN 61558-2-6, EN 62041 category 0
Mounting method	Key-hole mounting
Temperature range	-20...+40 °C (storage temperature -40...+80 °C)
Test isolation voltage	4 kV (prim./sec.)
Drill hole Ø	7×11 mm
Fixing centers a×b×c	107.5×122×7 mm

Dimensions H×W×D 136.3×150×149 mm

Output

Output voltage 24 V AC (SELV)

Output rating 800 VA

Input

Input voltage 230/400 V AC

Inrush current 50 A (230 V AC); 29 A (400 V AC)

Short-circuit current 219 A (110 V AC)

Input current 3.5 A (230 V AC); 2 A (400 V AC)

Frequency 50...60 Hz

Commercial data

country of origin CZ

customs tariff number 85043180

EAN 4048879078573

eClass 27031302

Packaging unit 1.000