

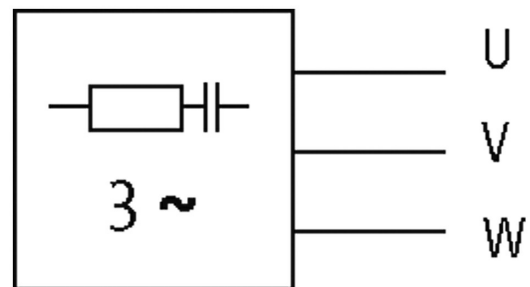
MOTOR SUPPRESSOR

RC, 3x500VAC/4kW

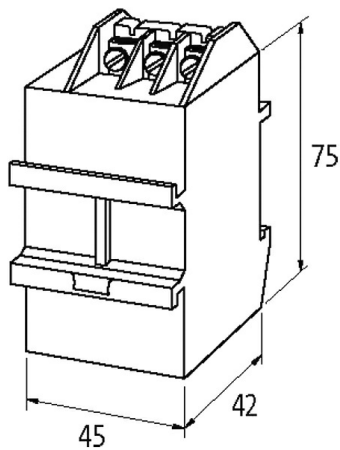
3× 500 V AC +10%

RC

Suppressors for other voltages, frequencies, and motor ratings available on request. Do not use RC motor suppressors with frequency inverters.

[Link to Product](#)**Illustration**

RC



Product may differ from Image

Technical Data

Frequency	50...60 Hz
Input voltage	500...500 V AC
Material	Flame retardant plastic acc. to (UL 94)
Potting compound	2-component epoxy

General data

Temperature range	-20...+60 °C
Connection	3-pole terminal, 2× 0.75...2.5 mm ² , M4
Dimensions H×W×D	75×45×42 mm

Commercial data

country of origin	CZ
customs tariff number	85363010
EAN	4048879019668
eClass	27371013
Packaging unit	1.000