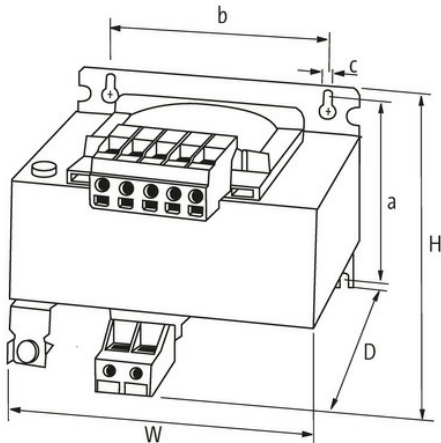
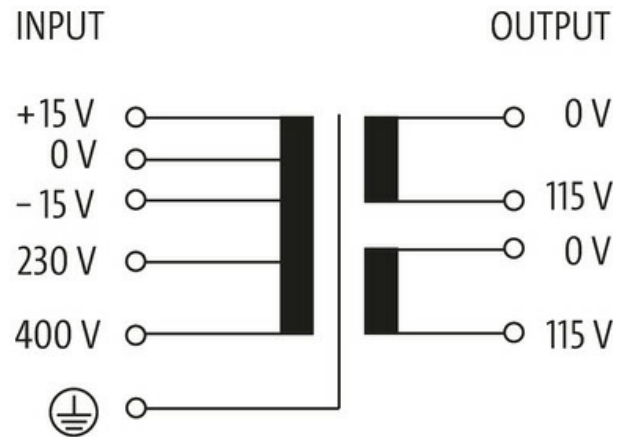


MST 1-PHASE CONTROL AND ISOLATION TRANSFORMER

P: 630VA IN:230/400VAC+/-15VAC OUT: 2x115VAC

Single-phase - Control and Isolation Transformers
630 VA
Isolation class T 40/B

[Link to Product](#)**Illustration**

Product may differ from Image

**General data**

Standards	EN 61558-1, EN 61558-2-4, EN 62041 category 0
Mounting method	Key-hole mounting
Temperature range	-20...+40 °C, no condensation
Test isolation voltage	5.8 kV (prim./sec.)
Drill hole Ø	7×11 mm
Fixing centers a×b×c	90.5×122×7 mm

Dimensions H×W×D 112.5×150×146 mm

Output

Output voltage 1× 230, 1× 115, 2× 115 V AC
Output rating 630 VA

Input

Input voltage 230/400 ±15 V AC
Inrush current 56 A (230 V AC); 26 A (400 V AC)
Short-circuit current 72 A (230 V AC); 39 A (400 V AC)
Input current 3 A (230 V AC); 1.7 A (400 V AC)
Frequency 50...60 Hz

Commercial data

country of origin CZ
customs tariff number 85043180
EAN 4048879366830
eClass 27031302
Packaging unit 1.000