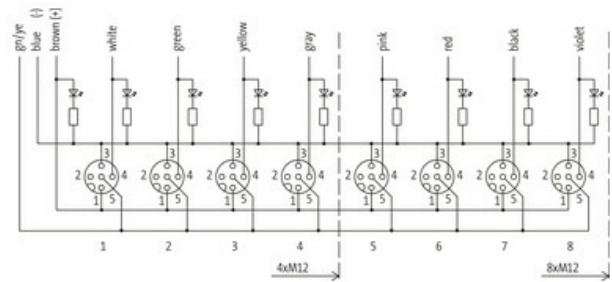
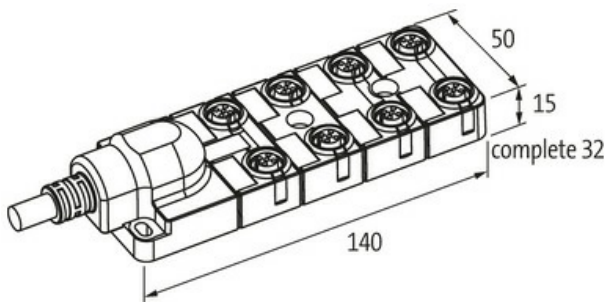
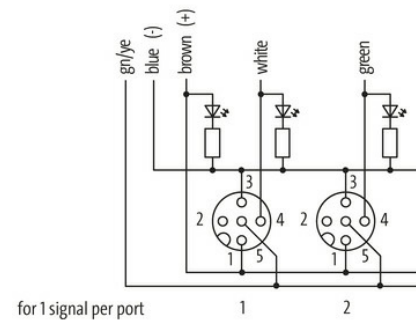
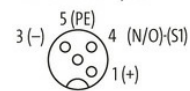


**EXACT12, 8XM12, 4 POLE MOULDED CABLE**

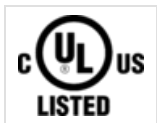
10.0m PUR 8x0.5+3x1.0, UL/CSA

[Link to Product](#)**Illustration**

M12-Females 4-pole



Product may differ from Image

**Technical Data**

Operating voltage	24 V DC
Operating current per contact	max. 4 A
Locking of ports	Screw thread (M12x1 mm)
Protection	IP65/IP67
Housing	Plastic, flame retardant

**General data**

Temperature range	-20...+70 °C, depending on cable quality
-------------------	--

**Cables**

No./diameter of wires	8x 0.5 + 3x 1.0 mm <sup>2</sup>
C-track properties	5 Mio.
Outer Ø	9.4 mm ±5%
Cable number	447
Jacket Color	gray

The information in this brochure has been compiled with the utmost care. Liability for the correctness completeness and topicality of the information is restricted to gross negligence. Version: 03/22

Temperature range (fixed)	-40...+80 °C
Temperature range (mobile)	-5...+80 °C
Bend radius (fixed)	5× outer Ø
Bend radius (moving)	10× outer Ø
Material (jacket)	PUR (UL/CSA)

**Contact Layout**

PIN 1	(+)
PIN 3	(-)
PIN 4	(NO)/(S1)
PIN 5	(Earth)
	LED (green): Power / LED (yellow): (S1)

**Commercial data**

country of origin	DE
customs tariff number	85444290
EAN	4048879308977
eClass	27143423
Packaging unit	1.000