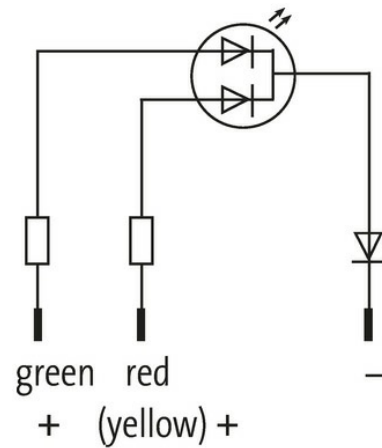


**LED-INDICATOR RED/GREEN**

LED 5mm - 24V DC - 15mA - IP40

(red/green)  
24 V DC  
Protection IP40

[Link to Product](#)**Illustration**

Product may differ from Image

**Technical Data**

Operating voltage	24 V DC $\pm 15\%$
Current consumption	15 $\pm 2$ mA
Protection (IEC 60529/EN 60529)	IP40

**General data**

Temperature range	-40...+70 °C
Front panel hole diameter $\varnothing$	8 mm
LED $\varnothing$	5 mm
Housing	Adapter - PVC, gray
Connection	Faston 2.8x0.8 mm
Dimensions HxWxD	18.5x12x53 mm

**Commercial data**

country of origin	DE
customs tariff number	85318070
EAN	4048879040853
eClass	27261590
Packaging unit	10.000