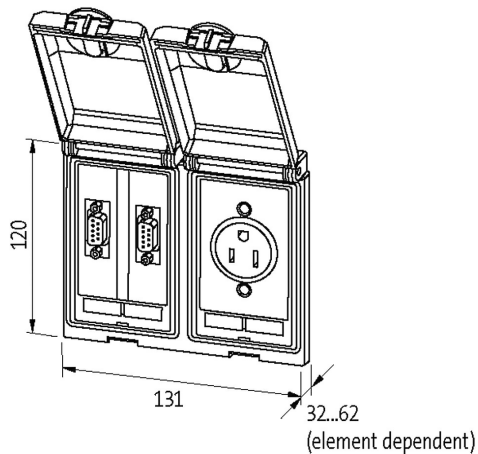


Modlink MSDD-set: Frame 4000-68122-0000000,
insert 4000-68000-0010000 + 4000-68000-1100000

[Link to Product](#)

Illustration



Product may differ from Image

The information in this brochure has been compiled with the utmost care.
Liability for the correctness completeness and topicality of the information is restricted to gross negligence. Version: 03/22

Frame	
suitable for mounting with wall thickness	1...5 mm
Protection	IP65
Temperature range	-10...+60 °C (storage temperature -25...+60 °C)
Housing	Zinc die-casting, KTL coated
RJ45	
Operating current (UL Rating)	max. 175 mA
Locking of ports	Snap In
Connection front side	RJ45
Connection rear side	RJ45
Operating voltage (UL Rating)	max. 30 V AC/42.4 V DC
Specification	CAT5e, Class D, 100 MHz, (EN 50173-1)
RJ12	
Operating voltage	max. 48 V AC/DC
Connection front side	RJ12
Connection rear side	RJ12
Locking of ports	Snap In
Operating current	max. 1 A
Operating voltage (UL Rating)	max. 30 V AC/42.4 V DC
Operating current (UL Rating)	max. 175 mA
Germany (VDE)	
Connection	Screw terminals: max. 2× 6 mm ² (AWG 10)
Operating voltage	250 V AC
No. of poles	2 + PE
LED display	yellow
Operating current	16 A
SUB-D25	
Locking of ports	UNC 4...40 bolt
Operating current	3 A
Connection rear side	SUB-D (male)
Connection front side	SUB-D (female)
Operating voltage	48 V AC/DC
Operating current (UL Rating)	max. 175 mA
Operating voltage (UL Rating)	max. 30 V AC/42.4 V DC
No. of poles	25-pole
Commercial data	
country of origin	CZ
customs tariff number	85366990
EAN	4048879035903
eClass	27189217
Packaging unit	1.000