

MSUD valve plug A-18mm with cable

RADOX EM 104 3x0.75 bk 1.5m

MSUD

Form A (18 mm)

24 V AC $\pm 20\%$ / DC $\pm 25\%$

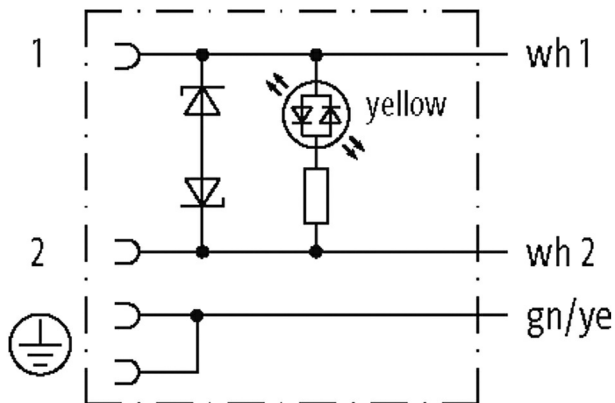
LED and suppression

Bridged PE

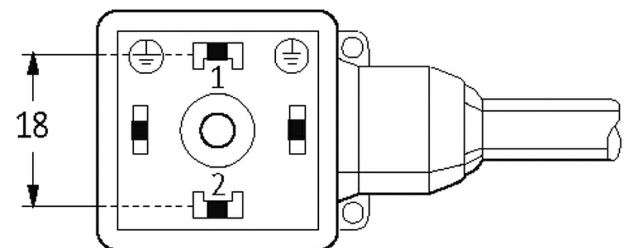
Further cable lengths on request.

Plastic housings with good resistance against chemicals and oils.

The resistance to aggressive media should be individually tested for your application. Further details on request.

[Link to Product](#)**Illustration**

Product may differ from Image

**Form**

Form 18021

Technical Data

Operating voltage	24 V AC $\pm 20\%$ / DC $\pm 25\%$
Rated surge voltage	0.8 kV
Operating current per contact	max. 4 A
Current consumption	max. 15 mA
Material group	IEC 60664-1, category I
Switch off peak	max. 55 V
Switch off delay time	max. 20 ms

The information in this brochure has been compiled with the utmost care.

Liability for the correctness completeness and topicality of the information is restricted to gross negligence. Version: 03/22

Murrelektronik Ltd. | 5 Albion Street, Pendlebury Industrial Estate, Swinton | Manchester M27 4FG | Fon +44 161 728 3133 | Fax +44 161 728 3130 | shop@murrelektronik.co.uk | shop.murrelektronik.co.uk

LED display	yellow
Locking of ports	M3 (recommended torque 0.4 Nm)
Locking material	Steel (galvanized)
Material	PBT
Housing	Black plastic (gray on request)
Additional suppressor	Diode/Z-Diode

General data

Pollution Degree	3
Material (gasket)	PUR
Stripping length (jacket)	50 mm
Temperature range	-25...+85 °C, depending on cable quality

Cables

Cable number	R26
No./diameter of wires	3× 0.75 mm ²
Wire isolation	Radox EI 303
Jacket Color	black
Material (jacket)	Radox EM 104
Outer Ø	5.15 mm ±5%
Bend radius (moving)	4× outer-Ø
Temperature range (fixed)	-50...+120 °C
Temperature range (mobile)	-25...+90 °C
Cable identification	R26
Approval (cable)	DIN EN 45545-2, CE conform
Cable weight [g/m]	56,10
Material (wire)	Cu wire, tin plated
Resistor (core)	max. 26 Ω/km (20 °C)
Single wire Ø (core)	0.23 mm
Construction (core)	19× 0.23 mm
Diameter (core)	3× 0.75 mm ²
AWG	similar to AWG 18
Material (wire isolation)	Radox EI 303
Wire-Ø incl. isolation	1.62 mm ±5%
Color/numbering of wires	bk numbered, gnye longitudinally striped
Stranding combination	3 wires twisted
Shield	no
Material (jacket)	Radox EM 104
Outer-Ø (jacket)	5.15 mm ±5%
Color (jacket)	black
Nominal voltage	600/1000 V AC
Test voltage	3500 V AC
Current load capacity	according to DIN VDE 0298-4
Temperature range (fixed)	-50...+120 °C
Temperature range (mobile)	-25...+90 °C
Bend radius (fixed)	3× outer-Ø
Bend radius (moving)	4× outer-Ø

Commercial data

country of origin	CZ
customs tariff number	85444290
EAN	4048879739238
eClass	27279218
Packaging unit	1