

ATV61EXC5C22N4H

enclosed variable speed drive ATV61 Plus-LH -
220 kW 400V - IP54 - low harmonic



Main

Range of product	Altivar 61 Plus-LH
Product or component type	Variable speed drive
Device short name	ATV61
Product destination	Asynchronous motors Synchronous motors
Assembly style	In floor-standing enclosure compact version
Kit composition	A line choke A switch and fast-acting fuses An IP65 remote mounting kit for graphic display terminal Terminals/Bars for motor connection ATV61HC22N4D standard drive IP00 A wired ready-assembled Schneider Spacial SF enclosure Active infeed converter Control transformer 230 V AC Power supply 24 V DC Clean power filter with integrated EMC filter
EMC filter	Integrated
Network number of phases	3 phases
Rated supply voltage	380...415 V (+/- 10 %)
Supply voltage limits	342...457 V
Supply frequency	50...60 Hz (- 5...5 %)
Network frequency limits	47.5...63 Hz
Motor power kW	220 kW, 3 phases at 380...415 V
Line current	348 A at 400 V 3 phases / 220 kW
IP degree of protection	IP54

Complementary

Apparent power	241 kVA at 400 V, 3 phases 220 kW
Prospective line I _{sc}	20 kA without external fuses 100 kA with option circuit breaker 100 kA with external fuses
Continuous output current	427 A, 2.5 kHz at 400 V 3 phases
Maximum transient current	512 A (duration=60 s) at 400 V 3 phases
Speed drive output frequency	0.1...500 Hz
Nominal switching frequency	2.5 kHz
Switching frequency	2.5...8 kHz with derating factor 2...8 kHz adjustable
Speed range	1...100 in open-loop mode, without speed feedback
Speed accuracy	+/- 10 % of nominal slip for 0.2 T _n to T _n torque variation without speed feedback
Torque accuracy	+/- 15 % in open-loop mode, without speed feedback
Transient overtorque	120 % of nominal motor torque for 60 s
Braking torque	120 % for 60 seconds 100 % continuous
Asynchronous motor control profile	Energy saving ratio Voltage/Frequency ratio (2 or 5 points) Flux vector control without sensor, standard
Synchronous motor control profile	Vector control without sensor, standard
Regulation loop	Adjustable PI regulator

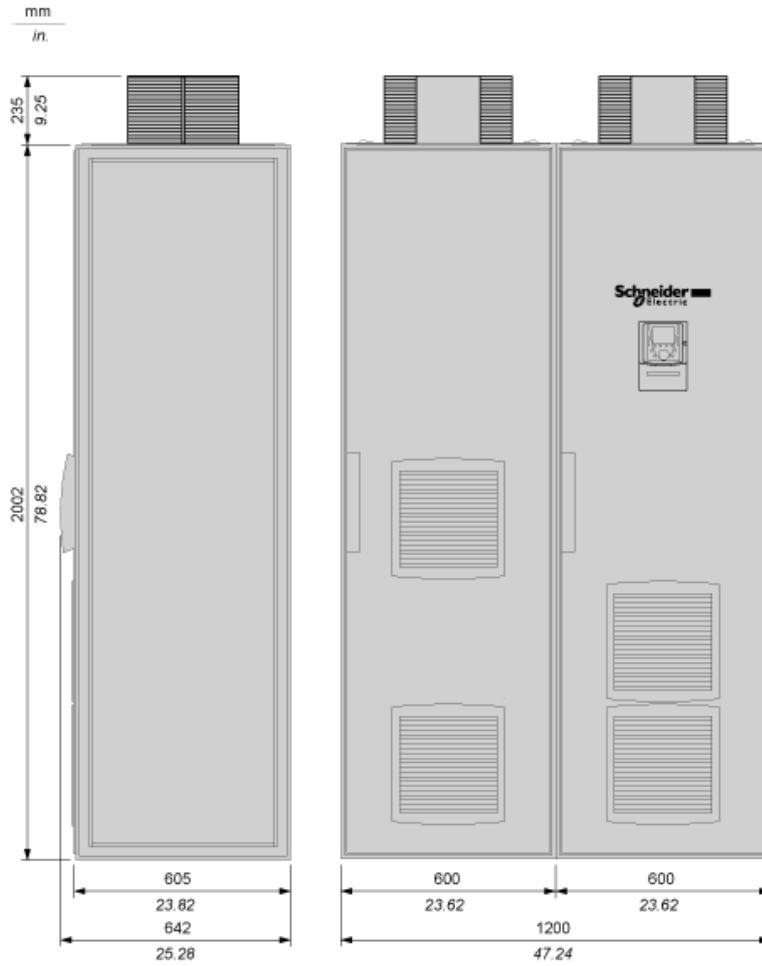
Motor slip compensation	Adjustable Automatic whatever the load Can be suppressed Not available in voltage/frequency ratio (2 or 5 points)
Overvoltage category	Class 3 conforming to EN 50178
Local signalling	LCD display unit - operation function, status and configuration - mounted in the front door
Output voltage	<= power supply voltage
Isolation	Between power and control terminals
Type of cable	IEC cable at 40 °C, copper 70 °C / PVC
Electrical connection	Terminal - screw type M12, connection capacity: 2 x 240 mm ² , terminal(s): U/T1, V/T2, W/T3, cable entry: entry from the bottom Terminal - screw type M10, connection capacity: 2 x 150 mm ² , terminal(s): L1/R, L2/S, L3/T, cable entry: entry from the bottom Terminal, Connection capacity: 2.5 mm ² AWG 14, terminal(s): AI1-/AI1+, AI2, AO1, R1A, R1B, R1C, R2A, R2B, LI1...LI6, PWR, cable entry: entry from the bottom
Motor recommended cable cross section	2 (3 x 120) mm ²
Short circuit protection	500 A 1 fuse (gl fuse) on power supply upstream
Supply	Internal supply at 24 V DC (21...27 V), 0...100 mA Internal supply for reference potentiometer at 10 V DC (10...11 V), 0...10 mA External supply at 24 V DC (19...30 V), 1 A, 30 W
Analogue input number	2
Analogue input type	Software-configurable current : (AI2) 0...20 mA/4...20 mA - 250 Ohm - sampling time: 1.5...2.5 ms - resolution: 11 bits Bipolar differential voltage : (AI1-/AI1+) +/- 10 V DC - 24 V max - sampling time: 1.5...2.5 ms - resolution: 11 bits + sign Software-configurable voltage : (AI2) 0...10 V DC - 24 V max - 30 kOhm - sampling time: 1.5...2.5 ms - resolution: 11 bits
Analogue output number	1
Analogue output type	Software-configurable current : (AO1) 0...20 mA/4...20 mA - 500 Ohm - sampling time: 1.5...2.5 ms - resolution: 10 bits Software-configurable voltage : (AO1) 0...10 V DC - 470 Ohm - sampling time: 1.5...2.5 ms - resolution: 10 bits
Discrete output number	1
Discrete output type	Configurable relay logic : (R1A, R1B, R1C) NO/NC - 6.5...7.5 ms - 100000 cycles
Minimum switching current	3 mA at 24 V DC (configurable relay logic)
Maximum switching current	2 A at 30 V DC on inductive load - L/R = 7 ms (configurable relay logic) 2 A at 250 V AC on inductive load - cos phi = 0.4 (configurable relay logic) 5 A at 30 V DC on resistive load - L/R = 0 ms (configurable relay logic) 5 A at 250 V AC on resistive load - cos phi = 1 (configurable relay logic)
Discrete input number	6
Discrete input type	Safety input (PWR) 24 V DC (<= 30 V) - 1.5 kOhm Switch-configurable (LI6) 24 V DC (<= 30 V) , with level 1 PLC - 1.5 kOhm - sampling time: 1.5...2.5 ms Programmable (LI1...LI4) 24 V DC (<= 30 V) , with level 1 PLC - 3.5 kOhm - sampling time: 1.5...2.5 ms
Discrete input logic	Positive logic (source) (PWR) , 0...2 V (state 0), 17...30 V (state 1) Negative logic (sink) (LI1...LI6) , 16...30 V (state 0), 0...10 V (state 1) Positive logic (source) (LI1...LI6) , 0...5 V (state 0), 11...30 V (state 1)
Acceleration and deceleration ramps	Linear adjustable separately from 0.01 to 9000 s S, U or customized
Braking to standstill	By regenerative braking with active front end
Protection type	Motor phase break for motor Thermal protection for motor Short-circuit between motor phases for drive Power removal for drive Overvoltages on the DC bus for drive Overheating protection for drive Overcurrent between output phases and earth for drive Line supply undervoltage for drive Line supply overvoltage for drive Against input phase loss for drive Against exceeding limit speed for drive
Dielectric strength	5092 V DC between control and power terminals 3535 V DC between earth and power terminals
Insulation resistance	> 1 mOhm at 500 V DC for 1 minute to earth
Frequency resolution	0.1 Hz for display unit 0.024/50 Hz for analog input

Communication port protocol	CANopen Modbus
Type of connector	Male SUB-D 9 on RJ45 for CANopen 1 RJ45 for Modbus on terminal 1 RJ45 for Modbus on front face
Physical interface	2-wire RS 485 for Modbus
Transmission frame	RTU for Modbus
Transmission rate	20 kbps, 50 kbps, 125 kbps, 250 kbps, 500 kbps, 1 Mbps for CANopen 9600 bps, 19200 bps for Modbus on front face 4800 bps, 9600 bps, 19200 bps, 38.4 Kbps for Modbus on terminal
Data format	8 bits, odd even or no configurable parity for Modbus on terminal 8 bits, 1 stop, even parity for Modbus on front face
Type of polarization	No impedance for Modbus
Number of addresses	1...247 for Modbus 1...127 for CANopen
Method of access	Slave for CANopen
Function available	Isolated amplifier for control circuit Adaptor for 115 V logic inputs for control circuit Control terminals for control circuit External 24 V DC supply terminals for power circuit Relay output C/O for control circuit Enclosure plinth for power circuit Cable entry via the top for power circuit Motor choke for power circuit Enclosure heating for power circuit Ammeter for power circuit Door handle for main switch for power circuit Voltmeter for power circuit External motor fan for power circuit Motor heating for power circuit Key switch (local/remote) for power circuit Enclosure lighting for power circuit Buffer voltage 24 V DC power supply for power circuit External 230 V supply terminals for power circuit Design for IT networks for power circuit Insulation monitoring for power circuit Pt100 relay for power circuit PTC relay for power circuit Safe standstill for power circuit
Option card	Encoder interface cards Extended I/O extension card Basic I/O extension card Multi-pump card Controller inside programmable card Communication card for Profibus DP V1 Communication card for Profibus DP Communication card for Modbus/Uni-Telway Communication card for Modbus TCP Communication card for Modbus Plus Communication card for METASYS N2 Communication card for LonWorks Communication card for Interbus-S Communication card for Fipio Communication card for Ethernet/IP Communication card for DeviceNet Communication card for CC-Link Communication card for BACnet Communication card for APOGEE FLN
Operating position	Vertical +/- 10 degree
Colour of enclosure	Light grey RAL 7035
Width	1200 mm
Height	2237 mm
Depth	642 mm
Product weight	810 kg

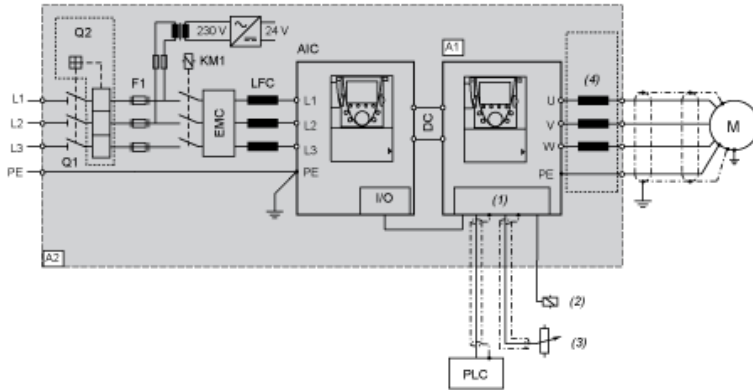
Environment

Standards	EN 60204-1 EN 61800-3 environments 2 category C3 EN 61800-5-1 EN 61800-2
Product certifications	ATEX C-Tick GOST
Marking	CE
Noise level	77 dB
Pollution degree	3 conforming to EN/IEC 61800-5-1
Vibration resistance	3M3 conforming to EN/IEC 60721-3-3 1.5 mm peak to peak (f = 3...10 Hz) conforming to EN/IEC 60068-2-6 0.6 gn (f = 10...200 Hz) conforming to EN/IEC 60068-2-6
Shock resistance	3M2 conforming to EN/IEC 60721-3-3 4 gn for 11 ms conforming to EN/IEC 60068-2-27
Environmental characteristic	3K3 without condensation conforming to IEC 60721-3-3
Relative humidity	<= 95 %
Ambient air temperature for operation	40...50 °C with current derating of 1.8 % per °C 0...40 °C without derating
Ambient air temperature for storage	-25...70 °C
Volume of cooling air	1600 m ³ /h
Operating altitude	1000...3000 m with current derating 1 % per 100 m <= 1000 m without derating

Dimensions



Wiring Diagram

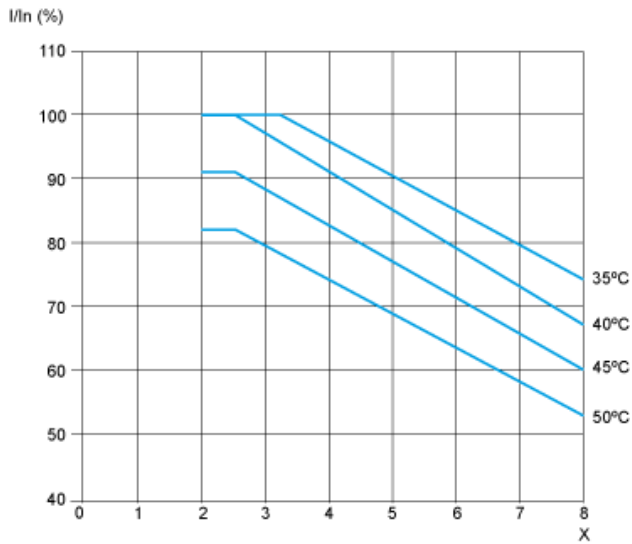


- A1 Drive
- A2 Enclosure
- AIC Active Infeed Converter
- M Motor
- Q1 Main switch built-in as standard
- Q2 Optional circuit breaker
- F1 Main fuses
- KM1 Line contactor
- EMC EMC filter
- LFC Line Filter Choke
- (1) Control
- (2) Relay control
- (3) Reference potentiometer
- (4) Option motor choke

Derating Curves

The derating curves for the drive nominal current (I_n) are dependent on the temperature and switching frequency. For intermediate temperatures, interpolate between 2 curves.

NOTE: The drive will reduce the switching frequency automatically in the event of excessive temperature rise.



X Switching frequency (kHz)

NOTE: The temperatures shown correspond to the temperature of the air entering the enclosure.