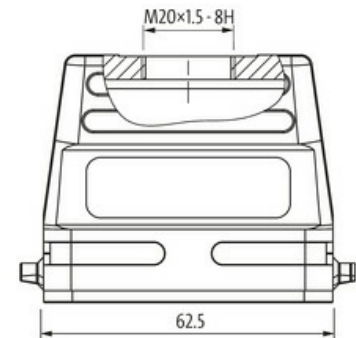
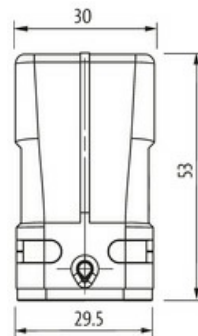


**A10 Hood, low profile, IP65**

Single locking lever, top entry M20

A10  
Hood (low)  
Single locking lever  
IP65

Technical data will be only guaranteed with Murrelektronik components.

**[Link to Product](#)****Illustration**

Product may differ from Image

**Technical Data**

Mating cycles	min. 500
Locking of ports	Single locking lever
Protection (housing)	IP65 inserted and tightened (EN 60529), with gland

**General data**

Material (gasket)	CR
Temperature range	-40...+100 °C
Material (housing)	Aluminum die-cast
Housing type	Hood
Threaded hole	M20
Size	A10
Cable outlet	straight
Locking material	Steel (galvanized)
Climatic category	40/100/21 (EN 60068-1)
Material (housing surface)	powder-coated
Dimensions H×W×D	53×30×62.5 mm

**Commercial data**

country of origin	CZ
customs tariff number	85389099
EAN	4048879696364
eClass	27279221
Packaging unit	1.000