

CAP FOR D-BOX M12 4-WAY 4 POLE

No pot.-sep. 5m PUR/PVC, 4X0.34+3X0.75

for 4-way distribution box, 4-pole

Further cable lengths on request.

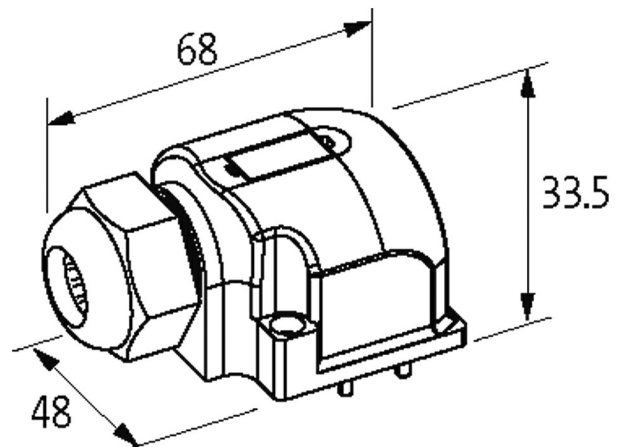
Plastic housings with good resistance against chemicals and oils.

The resistance to aggressive media should be individually tested for your application. Further details on request.

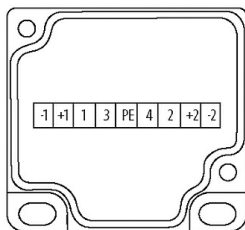
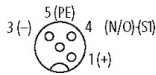
5.0 m

[Link to Product](#)

Illustration



M12-Females 4-pole



for 1 signal per port

Product may differ from Image

Technical Data

| | |
|---------------|--------------------------|
| Housing | Plastic, flame retardant |
| Total current | max. 8 A |

General data

| | |
|-------------------|--|
| Temperature range | -20...+80 °C, depending on cable quality |
|-------------------|--|

Cables

| | |
|-----------------------|-----------------------------------|
| Cable number | 333 |
| No./diameter of wires | 4× 0.34 + 3× 0.75 mm ² |
| Wire isolation | PVC |
| C-track properties | 2 Mio. |

| | |
|------------------------------------|--|
| Jacket Color | gray |
| Material (jacket) | PUR/PVC |
| Outer Ø | 7.4 mm ±5% |
| Bend radius (moving) | 12× outer Ø |
| Temperature range (fixed) | -30...+80 °C |
| Temperature range (mobile) | -5...+70 °C |
| Cable identification | 333 |
| Cable Type | 2 (PUR/PVC) |
| Approval (cable) | UL (AWM-Style 21441/10955), CE conform |
| Cable weight [g/m] | 91,3 |
| Material (wire) | Cu wire, bare |
| Resistor (core) | max. 57 Ω/km (0.34 mm ²), max. 26 Ω/km (0.75 mm ²); (20 °C) |
| Single wire Ø (core) | 0.15 mm (0.34 mm ²); 0.2 mm (0.75 mm ²) |
| Construction (core) | 19× 0.15 mm (0.34 mm ²); 24× 0.2 mm (0.75 mm ²); (multi-strand wire class 5) |
| Diameter (core) | 4× 0.34 + 3× 0.75 mm ² |
| AWG | similar to AWG 22 (0.34 mm ²); similar to AWG 18 (0.75 mm ²) |
| Material (wire isolation) | PVC |
| Material property (wire isolation) | CFC-, cadmium-, silicone- and lead-free |
| Shore hardness (wire isolation) | 43 ±5 D |
| Wire-Ø incl. isolation | 1.3 mm ±5% (0.34 mm ²); 1.8 mm ±5% (0.75 mm ²) |
| Color/numbering of wires | wh, gn, ye, gr+br, bl, gnye longitudinally striped |
| Shield | no |
| Material (jacket) | PUR/PVC |
| Shore hardness (jacket) | 87 ±5 A |
| Outer-Ø (jacket) | 7.4 mm ±5% |
| Color (jacket) | gray |
| chemical resistance | good resistance to oil, gasoline and chemicals (EN 60811-404) |
| Nominal voltage | U0/U 300/300 V AC |
| Test voltage | 2000 V AC |
| Current load capacity | to DIN VDE 0298-4 |
| Temperature range (fixed) | -30...+80 °C |
| Temperature range (mobile) | -5...+70 °C |
| Bend radius (fixed) | 5× outer Ø |
| Bend radius (moving) | 12× outer Ø |
| No. of bending cycles (C-track) | max. 2 Mio. (25 °C) |
| Traversing distance (C-track) | max. 5 m (horizontal) |
| Travel speed (C-track) | max. 2 m/s |
| Acceleration (C-track) | max. 10 m/s ² |
| Commercial data | |
| country of origin | CZ |
| customs tariff number | 85444290 |
| EAN | 4048879055918 |
| eClass | 27143423 |
| Packaging unit | 1 |