

**M12 male 0° / M12 female 0° A-cod.**

PUR 2x1.5 gy UL/CSA+drag ch. 10m

AS-Interface

Male straight – female straight

M12 – M12, 2-pole

for MASI68

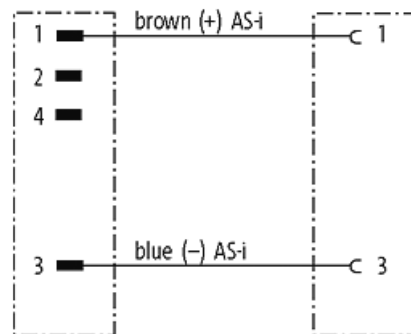
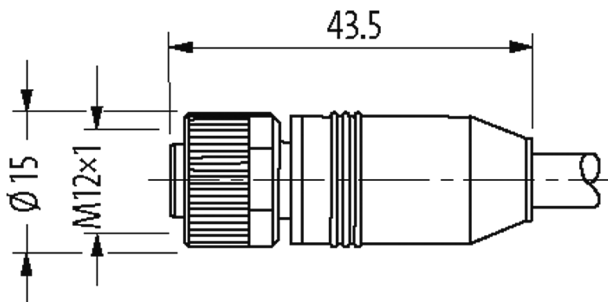
Plastic housings with good resistance against chemicals and oils.

The resistance to aggressive media should be individually tested for your application. Further details on request.

Further cable lengths on request.

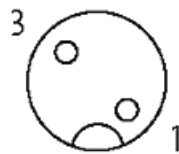
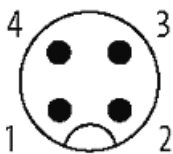
[Link to Product](#)

Illustration

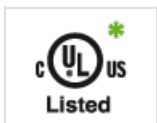


Male

Female



Product may differ from Image



\* only for products with UL/CSA approved cable

**Form**

Form 40005

**Technical Data**

Operating voltage max. 250 V AC/DC

|                               |  |
|-------------------------------|--|
| Operating current per contact | max. 4 A   |
| Locking of ports              | Screw thread (M12×1 mm) recommended torque 0.6 Nm, self-securing |
| Protection                    | IP67, IP68 inserted and tightened (EN 60529)                     |
| Locking material              | Zinc die casting, matte nickel plated                            |

**General data**

|                   |  |
|-------------------|--|
| Temperature range | -25...+85 °C, depending on cable quality |
|-------------------|--|

**Cables**

|                                    |  |
|------------------------------------|--|
| No./diameter of wires              | 2× 1.5 mm <sup>2</sup>   |
| Wire isolation                     | PP (br, bl)  |
| C-track properties                 | 5 Mio.   |
| Material (jacket)                  | PUR (UL/CSA)   |
| Outer Ø                            | 8.0 mm ±5%   |
| Bend radius (moving)               | 15× outer Ø  |
| Temperature range (fixed)          | -50...+80 °C   |
| Temperature range (mobile)         | -25...+80 °C   |
| Cable identification               | 588  |
| Approval (cable)                   | UL (AWM-Style 21198/10493), CSA  |
| Cable weight [g/m]                 | 80,30  |
| Material (wire)                    | Cu wire, bare  |
| Resistor (core)                    | max. 13.3 Ω/km (20 °C)   |
| Single wire Ø (core)               | 0.25 mm  |
| Construction (core)                | 30× 0.25 mm (multi-strand wire class 5)  |
| Diameter (core)                    | 2× 1.5 mm <sup>2</sup>   |
| AWG                                | similar to AWG 16  |
| Material (wire isolation)          | PP   |
| Material property (wire isolation) | CFC-, halogen-, cadmium-, silicone- and lead-free  |
| Shore hardness (wire isolation)    | 70 ±5 D  |
| Wire-Ø incl. isolation             | 2.95 mm ±5%  |
| Color/numbering of wires           | br, bl   |
| Shield                             | no   |
| Material (jacket)                  | PUR  |
| Material property (jacket)         | CFC-, halogen-, cadmium-, silicone- and lead-free, matt, low-adhesion, machine easy to process, abrasion-resistant, hydrolysis and microbial resistant |
| Shore hardness (jacket)            | 90 ±5 A  |
| Outer-Ø (jacket)                   | 8.0 mm ±5%   |
| Color (jacket)                     | gray   |
| chemical resistance                | good resistance to oil, gasoline and chemicals (VDE 0472 Teil 803 Test B)  |
| thermal resistance                 | flame retardant UL, CSA FT2 / IEC 60332-2-2  |
| Nominal voltage                    | 300 V AC   |
| Test voltage                       | 2000 V AC  |
| Current load capacity              | to DIN VDE 0298-4  |
| Temperature range (fixed)          | -50...+80 °C   |
| Temperature range (mobile)         | -25...+80 °C (+60 °C, C-track)   |
| Bend radius (fixed)                | 10× outer Ø  |
| Bend radius (moving)               | 15× outer Ø  |
| No. of bending cycles (C-track)    | max. 5 Mio. (25 °C)  |
| Traversing distance (C-track)      | max. 5 m (horizontal)  |
| Travel speed (C-track)             | max. 2 m/s   |
| Acceleration (C-track)             | max. 5 m/s <sup>2</sup>  |
| Jacket Color                       | gray   |

**Commercial data**

|                       |          |
|-----------------------|----------|
| country of origin     | CZ       |
| customs tariff number | 85444290 |

|                |               |
|----------------|---------------|
| EAN            | 4048879105163 |
| eClass         | 27279218      |
| Packaging unit | 1             |