

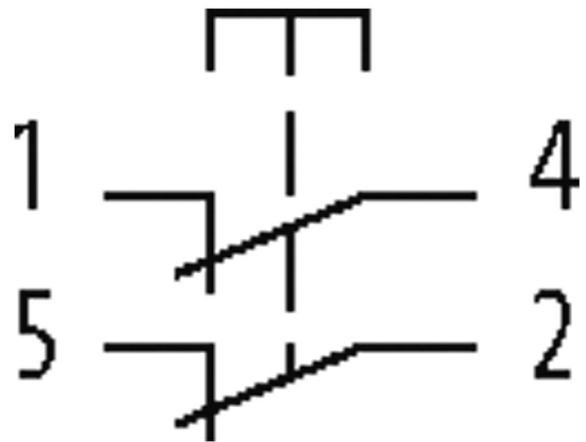
Emergency-stop pushbutton with 2 positive opening contacts

in a IP65 enclosure

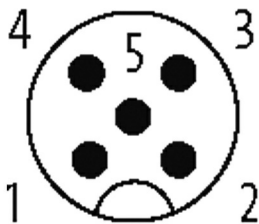
E-Stop 72P 2NC M12(5)
with M12 connection
5-pole
Emergency-Stop button
2 NC (positively-opening)
with protection shroud

Link to Product

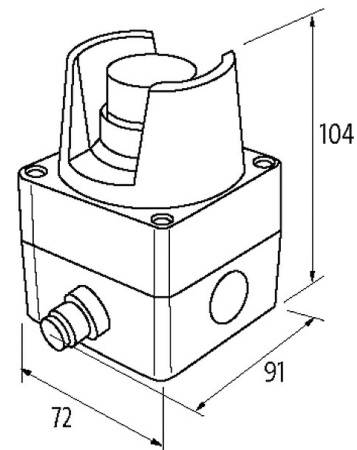
Illustration



Male



PIN 1: N/C 1
PIN 2: N/C 2
PIN 3: n.c.
PIN 4: N/C 1
PIN 5: N/C 2



Product may differ from Image

Technical Data

Contact bounce time	max. 9 ms
Switching capacity	30 A (AC 15); 2.2 A (DC 13)

General data

Mounting method	screw fixing
Material (contact)	Ag Ni
Temperature range	-25...+60 °C (storage temperature -25...+85 °C)
Lambda (d)	20% (N/C)
B10d	250 000
Mech./ elect. life	1 000 000 operations, load-temperature dependent

The information in this brochure has been compiled with the utmost care.
Liability for the correctness completeness and topicality of the information is restricted to gross negligence. Version: 03/22

Protection	IP65
Connection	M12 (5-pole)
Dimensions H×W×D	104×72×91 mm

Contact Layout

PIN 1	N/C 1
PIN 2	N/C 2
PIN 3	n.c.
PIN 4	N/C 1
PIN 5	N/C 2

Utilization category

AC-15	3 A (250 V AC)
DC-13	2 A (24 V DC)

Commercial data

country of origin	DE
customs tariff number	85365080
EAN	4048879594691
eClass	27371244
Packaging unit	1.000