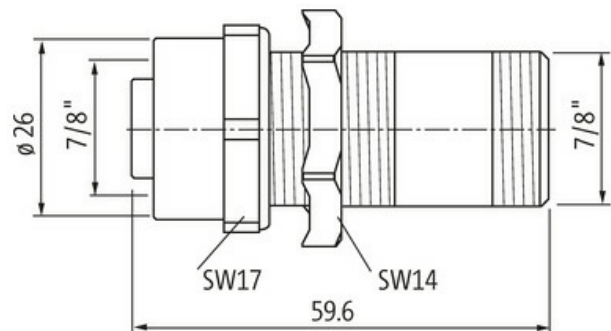
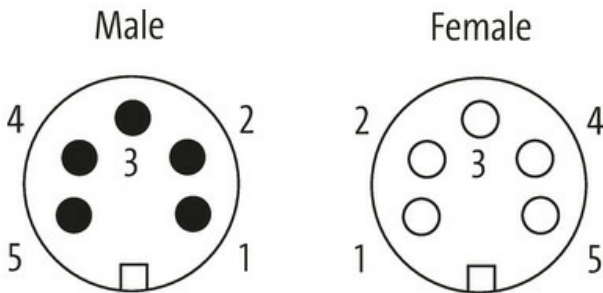
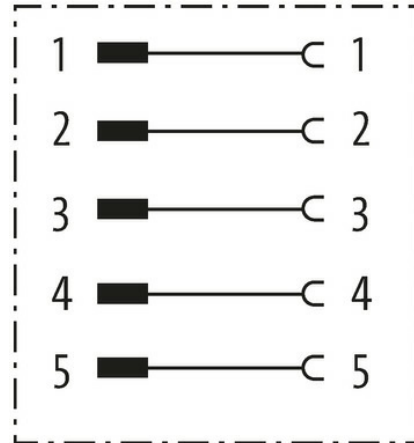


7/8"-BULKHEAD FLANGE PLUG 5 POLE

Control cabinet entry system
Female - male
7/8" (5-pole)

[Link to Product](#)

Illustration



Product may differ from Image

Form

Form 50111

Technical Data

Operating voltage	max. 230/400 V AC/DC
Rated surge voltage	3.0 kV
Operating current per contact	max. 12 A
Material group	IEC 60664-1, category I
Locking of ports	Screw thread 7/8" (recommended torque 1.5 Nm) self-securing
Protection	IP67 inserted and tightened (EN 60529)

General data

Pollution Degree	3
Temperature range	-20...+80 °C

Commercial data

country of origin	CZ
customs tariff number	85366990
EAN	4048879138123

eClass	27279220
Packaging unit	1.000
