

B16 Surface mounted h., low profile, IP65

Single locking lever m., side entry M25, p-cover

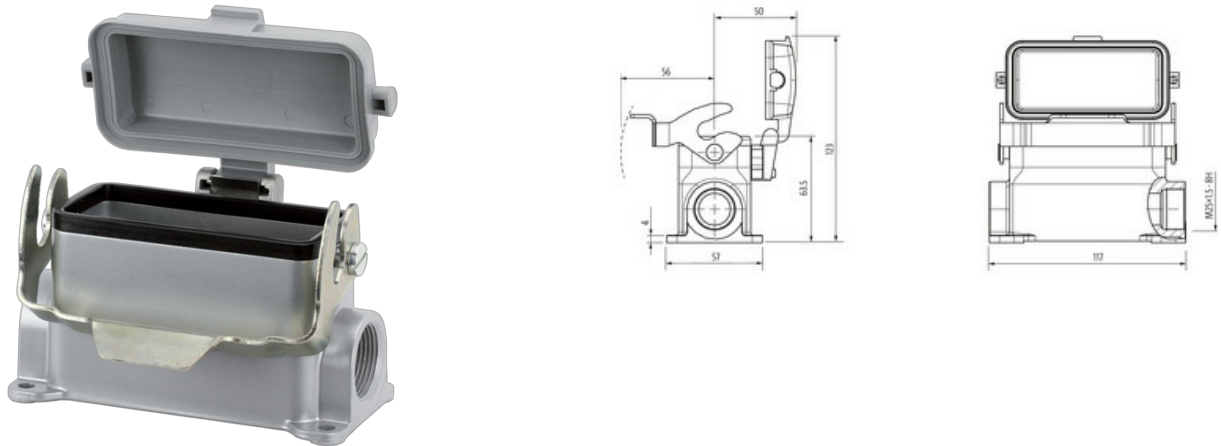
B16

Surface mounted housing (low)

Single locking lever

IP65

Technical data will be only guaranteed with Murrelektronik components.

[Link to Product](#)**Illustration**

Product may differ from Image

Technical Data

Mating cycles	min. 500
Locking of ports	Single locking lever
Protection (protection cover)	IP65
Protection (housing)	IP65 inserted and tightened (EN 60529), with gland

General data

Material (gasket)	NBR
Temperature range	-40...+100 °C
Material (housing)	Aluminum die-cast
Housing type	Surface mounted housing
Threaded hole	M25
Size	B16
Cable outlet	laterally
Protective cover	Plastic
Locking material	Steel (galvanized)
Climatic category	40/100/21 (EN 60068-1)
Material (housing surface)	powder-coated
Dimensions H×W×D	63.5×57×117 mm

Commercial data

country of origin	CZ
customs tariff number	85389099
EAN	4048879646550
eClass	27143424
Packaging unit	1.000