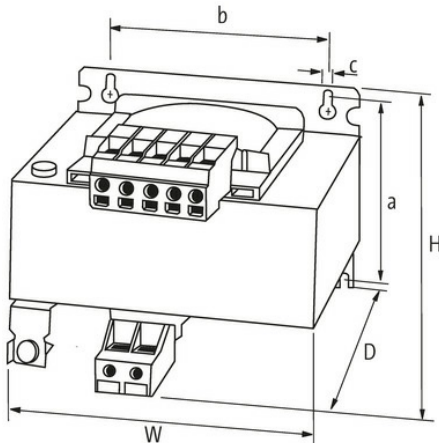
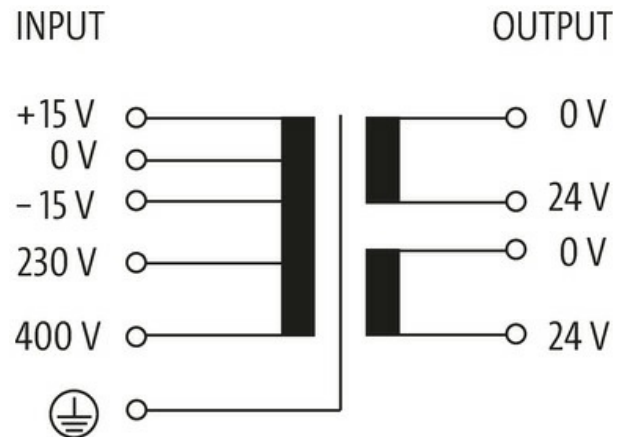


MTL 1-PHASE SAFETY TRANSFORMER

P: 400VA IN: 230/400VAC +/- 15VAC OUT: 2x24VAC

Single-phase safety transformer
400 VA
Isolation class T 60/B

[Link to Product](#)**Illustration**

Product may differ from Image

**General data**

Standards	EN 61558-2-4, EN 61558-2-6, EN 62041 category 0
Mounting method	DIN-rail mountable TH35-15 (EN 60715) or for key-hole mounting
Temperature range	-20...+60 °C, no condensation
Test isolation voltage	5.1 kV (prim./sec.)
Drill hole Ø	7x11 mm
Fixing centers a×b×c	90.6×122×7 mm
Dimensions H×W×D	112.5×150×160 mm

The information in this brochure has been compiled with the utmost care.
Liability for the correctness completeness and topicality of the information is restricted to gross negligence. Version: 03/22

Output	
Output voltage	1 x 24/1 x 48/2 x 24 V AC
Output rating	400 VA
Input	
Input voltage	230/400 ±15 V AC
Inrush current	32.2 A (230 V AC); 18.58 A (400 V AC)
Short-circuit current	61.9 A (230 V AC); 35.7 A (400 V AC)
Input current	2.04 A (230 V AC); 1.18 A (400 V AC)
Frequency	50...60 Hz
Commercial data	
country of origin	CZ
customs tariff number	85043180
EAN	4048879078283
eClass	27031302
Packaging unit	1.000