

EMPARRO HD POWER SUPPLY 1-PHASE,

IN: 100-240VAC OUT: 24-28VDC/10A

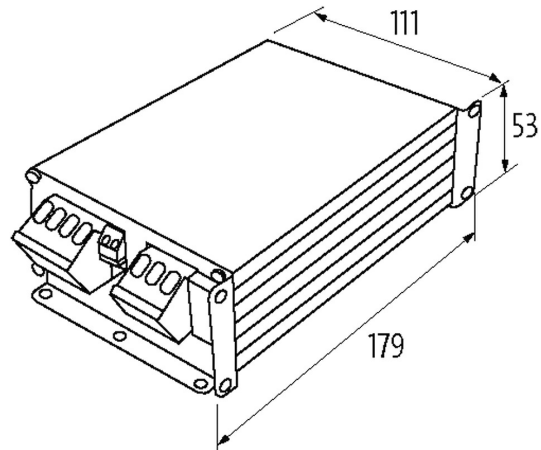
INPUT: 90...265 V AC/90...370 V DC

OUTPUT: 24 V DC

Current: 10 A

Protection IP20

rugged design

[Link to Product](#)**Illustration**

Product may differ from Image

General data

Standards	IEC 61010-2-201, EN 61204-3, EN 55022 B, EN 61000-3-2
Mounting method	6 hole screw mounting
Temperature range	-40...+50 °C, ...+80 °C derating (storage temperature -40...+85 °C)
MTBF	1 000 000 h
Relative humidity	5...95%, no condensation
Protection	IP20
Efficiency	93.5% (115 V AC); 94.2% (230 V AC)
Connection	Spring clamp terminals
Dimensions HxWxD	179x111x53 mm

Output

Output voltage	24 V DC (SELV), $\pm 1\%$; 24...28 V adjustable
Power Boost	15 A (min. 5 s)
LED display	LED (green): OK; LED (red): overload, overheating or short-circuit
Output current	10 A
Mains failure bridging time	min. 35 ms (100 V AC); 10 A (24 V DC)
Ripple	max. 30 mV eff/rms
Spikes	max. 300 mV ss/pp
Unit protection	short-circuit and overload protected
Parallel usage/serial usage	max. 3 units/max. 2 units

Input

Input voltage	90...265 V AC/90...370 V DC
Input current	1.2 A (240 V AC)
Inrush current after 1 ms	max. 7 A (240 V AC)
Power factor	0.91 (230 V AC)

Frequency	50...60 Hz
Input fuse (internal)	6.3 A (T)

Commercial data

country of origin	CZ
customs tariff number	85044090
EAN	4048879641111
eClass	27049002
Packaging unit	1.000