

**Valve plug MJC 0° with cable V2A**

PUR 2x0.75 bk UL/CSA+drag ch. 15m

Xtreme - Outdoor

Female straight

0...230 V AC/DC

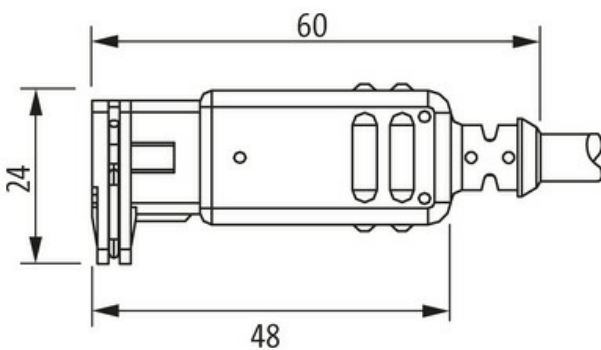
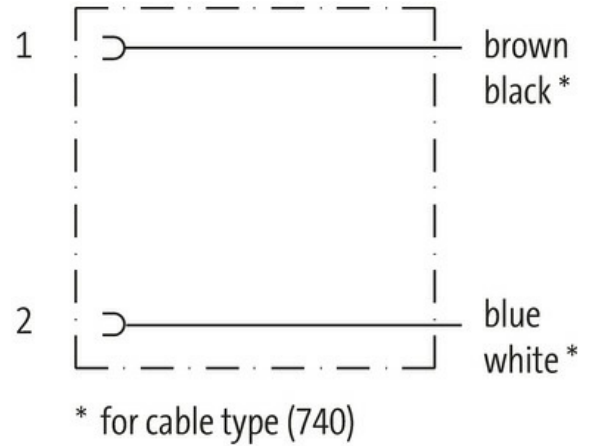
without components

Stainless steel 1.4305 (V2A)

Plastic housings with good resistance against chemicals and oils.

The resistance to aggressive media should be individually tested for your application. Further details on request.

Further cable lengths on request.

**Link to Product****Illustration**

Product may differ from Image

**Form**

Form 70001

**Technical Data**

|                               |  |
|-------------------------------|--|
| Operating voltage             | max. 230 V AC/DC                       |
| Operating current per contact | max. 4 A                               |
| Protection                    | IP65 inserted and tightened (EN 60529) |
| Locking material              | Stainless steel 1.4305 (V2A)           |

Housing Black plastic, flame retardant

#### General data

Temperature range -25...+85 °C, depending on cable quality

#### Cables

|                                    |  |
|------------------------------------|--|
| Cable identification               | 754  |
| Cable Type                         | 3 (PUR)  |
| Approval (cable)                   | cURus (AWM-Style 20549/10493); CE conform  |
| Cable weight [g/m]                 | 40,7 g   |
| Material (wire)                    | Cu wire, bare  |
| Resistor (core)                    | max. 26 Ω/km (20 °C)   |
| Single wire Ø (core)               | 0.15 mm  |
| Construction (core)                | 42× 0.15 mm (multi-strand wire class 6)  |
| Diameter (core)                    | 2× 0.75 mm <sup>2</sup>  |
| AWG                                | similar to AWG 18  |
| Material (wire isolation)          | PP   |
| Material property (wire isolation) | CFC-, halogen-, cadmium-, silicone- and lead-free  |
| Shore hardness (wire isolation)    | 70 ±5 D  |
| Wire-Ø incl. isolation             | 1.7 mm ±5%   |
| Color/numbering of wires           | br, bl   |
| Stranding combination              | 2 wires twisted  |
| Shield                             | no   |
| Material (jacket)                  | PUR  |
| Material property (jacket)         | CFC-, halogen-, cadmium-, silicone- and lead-free, matt, low-adhesion, machine easy to process, abrasion-resistant, hydrolysis and microbial resistant |
| Shore hardness (jacket)            | 90 ±5 A  |
| Outer-Ø (jacket)                   | 5.0 mm ±5%   |
| Color (jacket)                     | black  |
| chemical resistance                | good resistance to oil, gasoline and chemicals (EN 60811-404)  |
| thermal resistance                 | flame retardand UL 1581 Section 1090 (H), CSA FT2 / IEC 60332-2-2  |
| Nominal voltage                    | 300 V AC   |
| Test voltage                       | 2500 V AC  |
| Current load capacity              | to DIN VDE 0298-4  |
| Temperature range (fixed)          | -40...+80 °C, (+90 °C at max. 10 000 operating hours)  |
| Temperature range (mobile)         | -25...+80 °C, (+90 °C at max. 10 000 operating hours)  |
| Bend radius (fixed)                | 5× outer Ø   |
| Bend radius (moving)               | 10× outer Ø  |
| No. of bending cycles (C-track)    | max. 10 Mio. (25 °C)   |
| Travel speed (C-track)             | max. 3 m/s   |
| Acceleration (C-track)             | max. 10 m/s <sup>2</sup>   |
| Torsion stress                     | ±180°/m  |
| No. of torsion cycles              | max. 2 Mio. (25 °C)  |
| Torsion speed                      | 35 cycles/min  |

#### Commercial data

|                       |               |
|-----------------------|---------------|
| country of origin     | DE            |
| customs tariff number | 85444290      |
| EAN                   | 4048879365529 |
| eClass                | 27279218      |
| Packaging unit        | 1.000         |