

Mini (7/8) 4 pole, Male (Ext.) 90° w/ Cable

TPE 4x16AWG ye UL/CSA, TC-ER

Male 90°

7/8"

4-pole

Power cable

USA

without cable sleeves

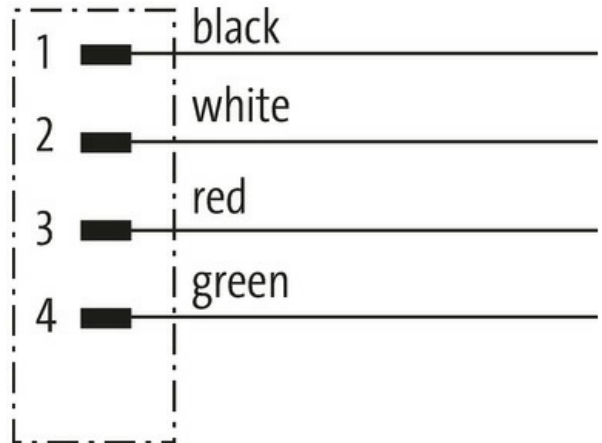
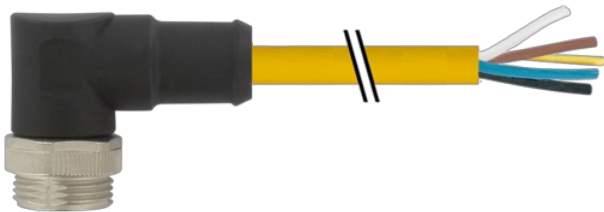
Further cable lengths on request.

Plastic housings with good resistance against chemicals and oils.

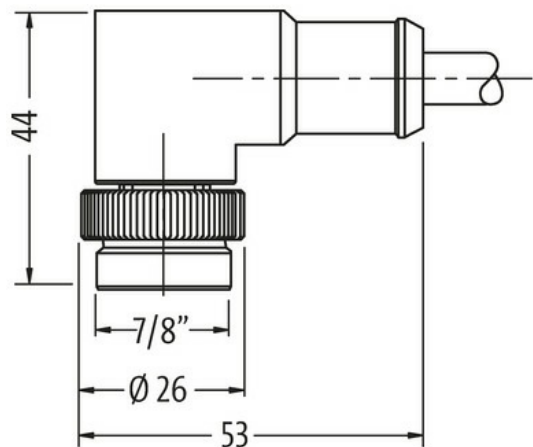
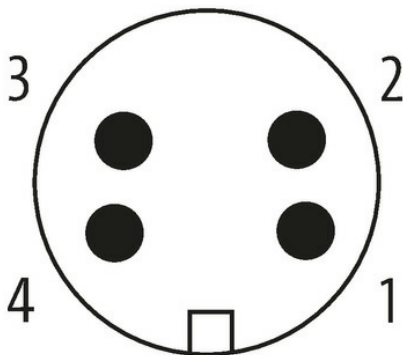
The resistance to aggressive media should be individually tested for your application. Further details on request.

[Link to Product](#)

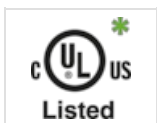
Illustration



Male



Product may differ from Image



* only for products with UL/CSA approved cable

Form

Form

A4011

Technical Data

The information in this brochure has been compiled with the utmost care. Liability for the correctness completeness and topicality of the information is restricted to gross negligence. Version: 03/22

| | |
|-------------------------------|---|
| Operating voltage | max. 600 V AC/DC |
| Rated surge voltage | 4.0 kV |
| Operating current per contact | max. 9 A |
| No. of poles | 4 |
| LED display | no |
| Locking of ports | Screw thread 7/8" (recommended torque 1.5 Nm) self-securing |
| Compression gland | 7/8" (SW24) |
| Protection | IP68 inserted and tightened (EN 60529) |
| Material | PUR |
| Locking material | Zinc die casting, matte nickel plated |

General data

| | |
|-------------------|--|
| Mounting method | inserted, tightened |
| Pollution Degree | 3 |
| Temperature range | -25...+80 °C, depending on cable quality |

Cables

| | |
|----------------------------|--|
| No./diameter of wires | 4x 1.5 mm ² |
| Wire isolation | PVC (bk, gn, rd, wh) |
| Outer Ø | 9.0 mm ±5% |
| Cable identification | U1C |
| Cable number | U1C |
| Approval (cable) | UL (AWM-Style 21002/1841), CSA |
| Cable weight [g/m] | 117,7 g |
| Material (wire) | Cu wire, bare |
| Resistor (core) | max. 13.2 Ω/km (20 °C) |
| Single wire Ø (core) | 0.16 mm |
| Construction (core) | 65x 0.16 mm (multi-strand wire class 6) |
| Diameter (core) | 4x 1.5 mm ² |
| AWG | similar to AWG 16 |
| Material (wire isolation) | PVC |
| Wire-Ø incl. isolation | 2.6 mm ±5% |
| Color/numbering of wires | bk, gn, rd, wh |
| Shield | no |
| Material (jacket) | TPE |
| Outer-Ø (jacket) | 9.1 mm ±5% |
| Color (jacket) | yellow |
| Jacket Color | yellow |
| chemical resistance | good resistance to oil, gasoline and chemicals |
| thermal resistance | flame retardant UL, FT4 |
| Nominal voltage | 600 V |
| Test voltage | 6 kV spark test |
| Current load capacity | NEC (National Electric Code) |
| Temperature range (fixed) | -50...+105 °C |
| Temperature range (fixed) | -50...+105 °C |
| Temperature range (mobile) | -20...+90 °C |
| Temperature range (mobile) | -20...+90 °C |
| Bend radius (fixed) | 8x outer Ø |
| Bend radius (moving) | 10x outer Ø |
| Bend radius (moving) | 10x outer Ø |
| Torsion stress | ±90°/m |
| Material (jacket) | TPE (UL/CSA) |

Commercial data

| | |
|-------------------|----|
| country of origin | DE |
|-------------------|----|

| | |
|-----------------------|---------------|
| customs tariff number | 85444290 |
| EAN | 4048879648233 |
| eClass | 27279218 |
| Packaging unit | 1.000 |