

SAFETY WIRING SYSTEM

Distributor Box

8-way distribution box
with electrical feedback
with LED

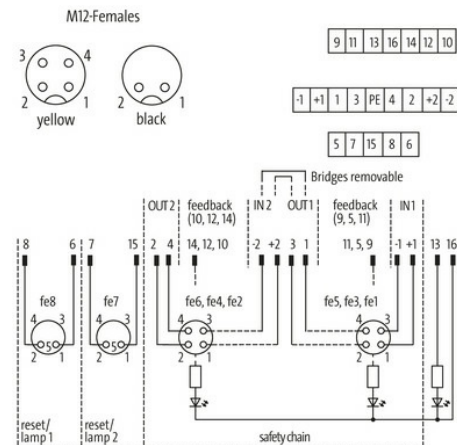
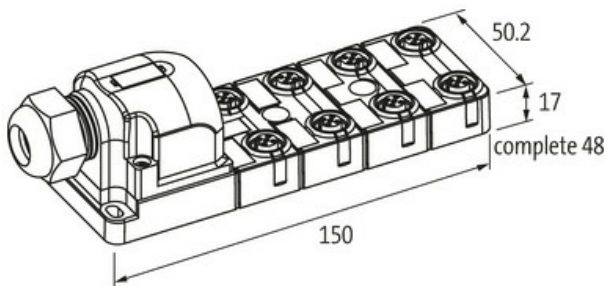
Replaces identical product (Art.No. 27292)

Plastic housings with good resistance against chemicals and oils.

The resistance to aggressive media should be individually tested for your application. Further details on request.

Link to Product

Illustration



Product may differ from Image

Technical Data

Operating voltage	24 V DC (EN 61131-2)
Material group	EN 60664-1 over voltage, category III
Locking of ports	Screw thread (M12×1 mm)
Operating current (black females)	max. per 1 A
Operating current (chain)	max. per 1 A
Isolation resistance	min. 1000 MΩ

General data

Temperature range	-20...+80 °C
Protection	IP54
Connection	Screw plug-in terminal

Commercial data

country of origin	DE
customs tariff number	85369010

EAN	4048879353373
eClass	27143423
Packaging unit	1.000