

MVK I/O COMPACT MODULE, METAL

CANopen, 16 dig. In / Diag

Digital inputs

DI8 DI8

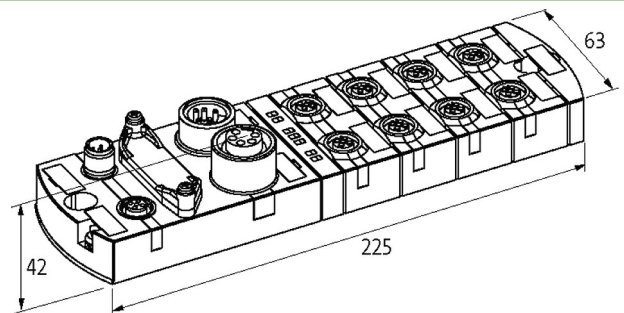
CAN 1 Mbit/s; M12, A-coded

7/8", 5-pole, 2× max. 9 A

M12, 5-pole, A-coded

Connection cables are in the online shop under "Connection Technology".

Housing fully potted.

[Link to Product](#)**Illustration**

Product may differ from Image

**General data**

Mounting method	2-hole screw mounting
Temperature range	0...+55 °C (storage temperature -20...+70 °C)
Protection	IP67
Dimensions H×W×D	42×63×225 mm

Module supply

Operating voltage	24 V DC (EN 61131-2)
-------------------	----------------------

Input

Sensor supply US	24 V DC (EN 61131-2), max. 200 mA (M12 female), short-circuit and overload protected
Type	for 3-wire sensors or mechanical switches, PNP

Parameterization

PIN 4	Input
PIN 2	Input/Diagnostic

Connections

Fieldbus	CAN 1 Mbit/s; M12, A-coded
Sensor-system/actuator supply	7/8", 5-pole, 2× max. 9 A
I/O ports	M12, 5-pole, A-coded

CANopen

Addressing	Rotary switch 1...99
------------	----------------------

Diagnostic

Communication status	via LED
----------------------	---------

Diagnostic via LED	per module and channel
--------------------	------------------------

Diagnostic via BUS	per module and channel
--------------------	------------------------

Actuator warning	per channel via LED and BUS
------------------	-----------------------------

Monitoring - under voltage	yes
----------------------------	-----

Monitoring - no voltage	yes
-------------------------	-----

Short-circuit and overload	yes
----------------------------	-----

Cable break	per port
-------------	----------

Commercial data

country of origin	DE
-------------------	----

customs tariff number	85176200
-----------------------	----------

EAN	4048879051514
-----	---------------

eClass	27242604
--------	----------

Packaging unit	1.000
----------------	-------