

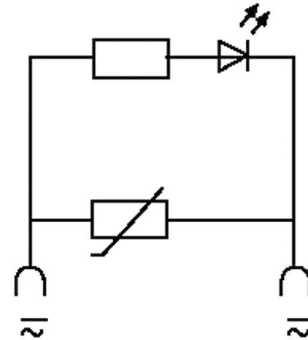
SIEMENS CONTACTOR SUPPRESSOR

Varistor and LED, 24VAC/DC

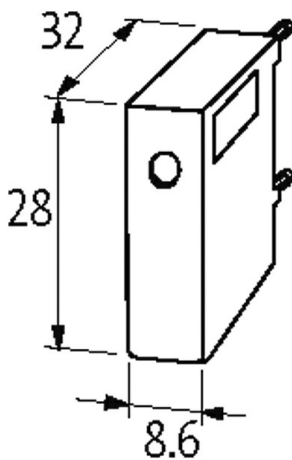
24 V AC/DC
VDR + LED

[Link to Product](#)

Illustration



VDR + LED



Product may differ from Image



Technical Data

Input voltage 12...70 V AC/DC

General data

Dimensions H×W×D 28×8.6×32 mm

Appropriate contactors

Appropriate contactors 3 RH 1/11; 3 RT 1/3 RH1; 3 RT 1/10.15...10.17

Commercial data

country of origin DE

customs tariff number	85363010
EAN	4048879017602
eClass	27371013
Packaging unit	1.000