

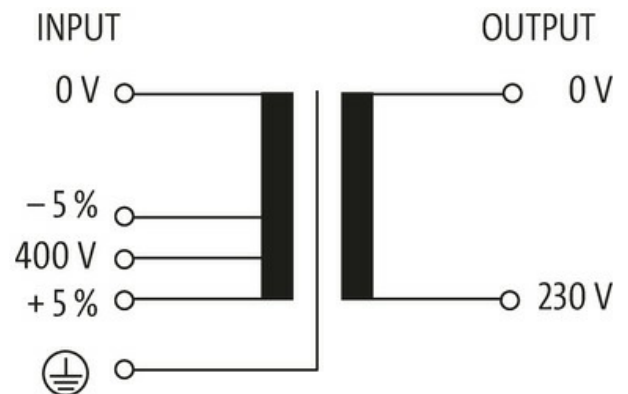
## MET 1-PHASE CONTROL AND ISOLATION TRANSFORMER

P: 630VA IN: 400VAC+/- 5% OUT: 230VAC

Single-phase - Control and Isolation Transformers  
630 VA  
Spring clamp terminals  
Isolation class T 60/B

### [Link to Product](#)

#### Illustration



Product may differ from Image



#### General data

Standards	EN 61558-1, EN 61558-2-4, EN 62041 category 0
Mounting method	Key-hole mounting
Temperature range	-20...+60 °C (storage temperature -40...+80 °C)
Test isolation voltage	4 kV (prim./sec.)
Drill hole Ø	7×11 mm
Fixing centers a×b×c	107.5×122×7 mm

Dimensions H×W×D 130×150×146 mm

**Output**

Output voltage 230 V AC

Output rating 630 VA

**Input**

Inrush current 27.16 A (400 V AC)

Short-circuit current 68.2 A (400 V AC)

Input current 1.71 A (400 V AC)

Frequency 50...60 Hz

**Commercial data**

country of origin CZ

customs tariff number 85043180

EAN 4048879066488

eClass 27031302

Packaging unit 1.000