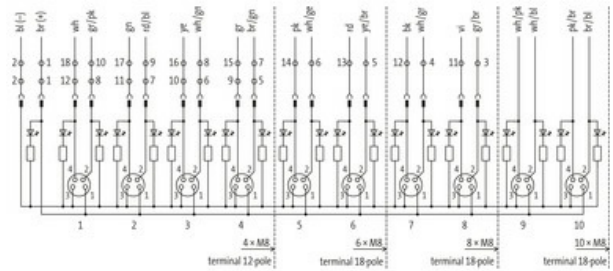
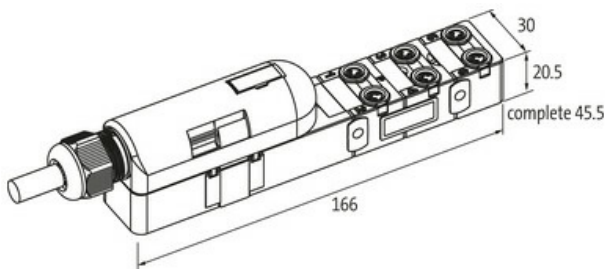



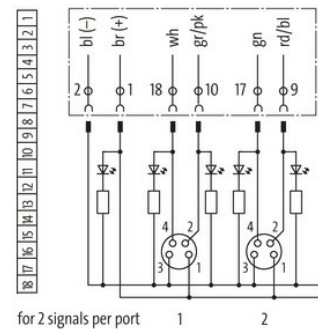
**EXACT8, 6XM8, 4 POLE PLUG. CAP, SPRING-TERM.**

3.0m PUR 12x0.34+2x0,75, UL/CSA

3.0 m

[Link to Product](#)**Illustration****M8-Females 4-pole**

4 (S1) 2 (S2)  
3 (-) 1 (+)

Product may differ from Image

**Form**

Form 86140

**Technical Data**

Operating voltage	24 V DC
Operating current per contact	max. 2 A
Locking of ports	Screw thread (M8x1 mm)
Protection	IP67 inserted and tightened (EN 60529)
Housing	Plastic, flame retardant
Signal per port	2
Total current	max. 8 A

**General data**

Temperature range -20...+80 °C, depending on cable quality

**Cables**

No./diameter of wires	12× 0.34 + 2× 0.75 mm <sup>2</sup>
C-track properties	5 Mio.
Outer Ø	9.5 mm ±5%
Cable number	389
Approval (cable)	UL (AWM-Style 20233), CSA
Jacket Color	gray
Temperature range (fixed)	-40...+80 °C
Temperature range (mobile)	-5...+60 °C
Bend radius (fixed)	5× outer Ø
Bend radius (moving)	10× outer Ø
Material (jacket)	PUR (UL/CSA)

#### Contact Layout

PIN 1	(+)
PIN 2	(NC)/(S2)
PIN 3	(-)
PIN 4	(NO)/(S1)
	LED (green): Power / LED (yellow): (S1) / LED (white): Signal (S2)

#### Commercial data

country of origin	CZ
customs tariff number	85444290
EAN	4048879054881
eClass	27143423
Packaging unit	1.000