

M12 male 0° / M12 female 0° A-cod. shielded

RADOX EM 104 2x0.75 shielded bk 1m

AS-Interface

The resistance to aggressive media should be individually tested for your application. Further details on request.

Further cable lengths on request.

Transmission properties with channel transmission up to 100 m

Male straight – female straight

shielded

Male M12

4-pole

2-pole used

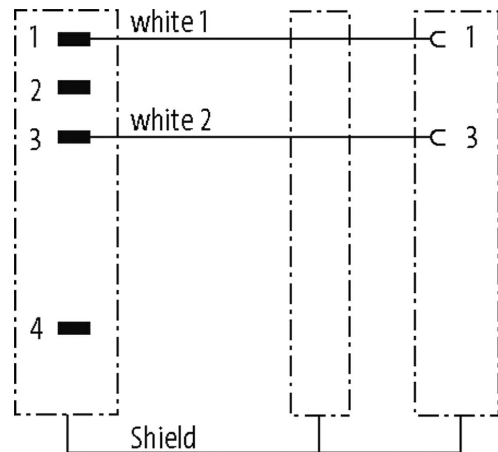
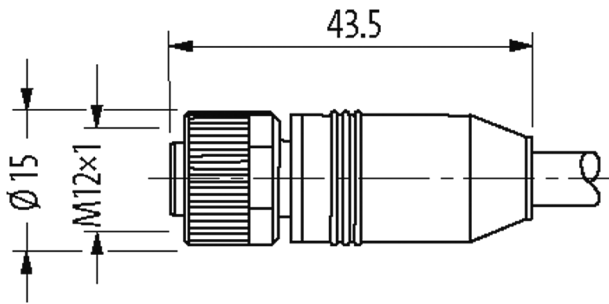
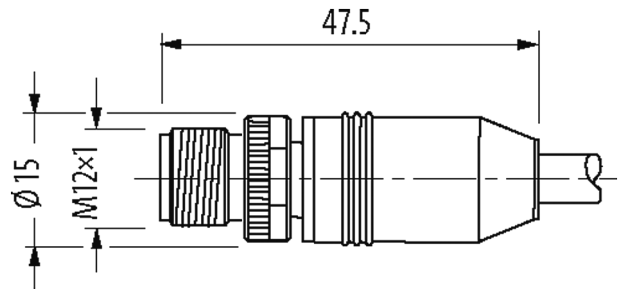
Female M12

2-pole

Plastic housings with good resistance against chemicals and oils.

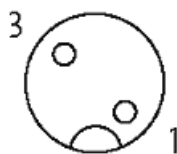
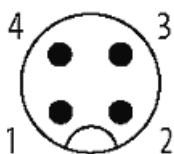
[Link to Product](#)

Illustration



Male

Female



Product may differ from Image

Form

The information in this brochure has been compiled with the utmost care. Liability for the correctness completeness and topicality of the information is restricted to gross negligence. Version: 03/22

Form 40485

Technical Data	
Operating voltage	max. 60 V AC/DC
Rated surge voltage	0.8 kV
Operating current per contact	max. 4 A
Material group	IEC 60664-1, category I
Coding	A-coded
LED display	no
Locking of ports	Screw thread (M12×1 mm) recommended torque 0.6 Nm, self-securing
Compression gland	M12 (SW13)
Protection	IP65 and IP67 when plugged and screwed down (EN 60529)
Material	PUR
Locking material	Zinc die casting, matte nickel plated
General data	
Standards	DIN EN 61076-2-101 (M12)
Pollution Degree	3
Mounting method	inserted, tightened
Temperature range	-25...+85 °C, depending on cable quality
Cables	
Cable identification	R31
Approval (cable)	DIN EN 45545-2, CE conform
Cable weight [g/m]	55,00
Material (wire)	Cu wire, tin plated
Resistor (core)	max. 26 Ω/km (20 °C)
Single wire Ø (core)	0.23 mm
Construction (core)	19× 0.23 mm
Diameter (core)	2× 0.75 mm ²
AWG	similar to AWG 18
Material (wire isolation)	Radox EI 303
Wire-Ø incl. isolation	1.62 mm ±5%
Color/numbering of wires	wh (bk num)
Stranding combination	2 wires twisted
Shield	yes
Material (jacket)	Radox EM 104
Outer-Ø (jacket)	5.0 mm ±5%
Color (jacket)	black
Nominal voltage	600/1000 V AC
Test voltage	3500 V AC
Current load capacity	according to DIN VDE 0298-4
Temperature range (fixed)	-50...+120 °C
Temperature range (mobile)	-25...+90 °C
Bend radius (fixed)	3× outer-Ø
Bend radius (moving)	4× outer-Ø
Jacket Color	black
Commercial data	
country of origin	DE
customs tariff number	85444290
EAN	4048879720199
eClass	27279218
Packaging unit	1