

**M12 female 90° T-coded field-wireable**4-pol. max. 1,5mm<sup>2</sup>, 8-10mm

Female 90°

M12, 4-pole

T-coded

Screw terminals

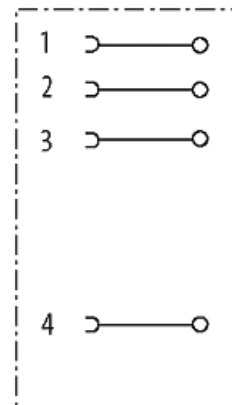
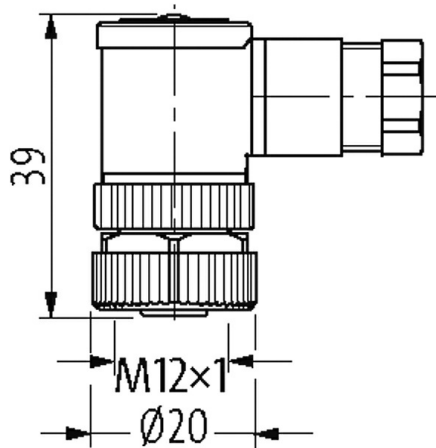
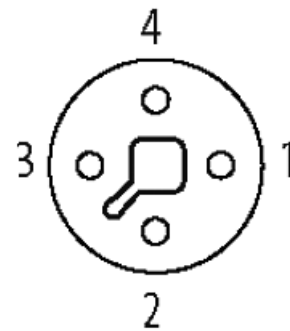
Sealing range (cable Ø): 8...10 mm

Plastic housings with good resistance against chemicals and oils.

The resistance to aggressive media should be individually tested for your application. Further details on request.

[Link to Product](#)**Illustration**

Female



Product may differ from Image

**Technical Data**

Operating voltage	max. 63 V AC/DC
Rated surge voltage	1.5 kV
Operating current per contact	max. 12 A
Material group	IEC 60664-1, category III
Connection cross section	max. 1.5 mm <sup>2</sup>

The information in this brochure has been compiled with the utmost care.  
Liability for the correctness completeness and topicality of the information is restricted to gross negligence. Version: 03/22

Coding	T-coded
Sealing range (cable Ø)	8...10 mm
Locking of ports	Screw thread (M12×1 mm) recommended torque 0.6 Nm, self-securing
Compression gland	M12 (SW18)
Protection	IP67 inserted and tightened (EN 60529)
Material	PA
Over voltage category	III

**General data**

Pollution Degree	3
Temperature range	-40...+85 °C

**Commercial data**

country of origin	DE
customs tariff number	85366990
EAN	4048879749084
eClass	27279221
Packaging unit	1