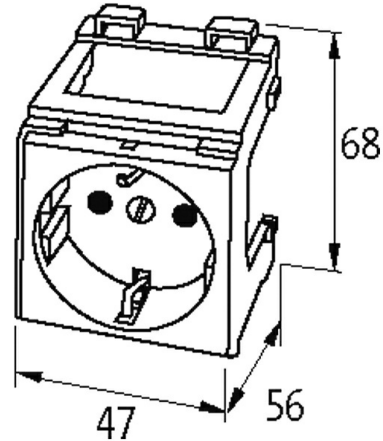


**MODLINK MSVD CABINET POWER OUTLETS**

Switzerland 250V AC / 10 A

Swiss (white)  
Spring clamp terminals[Link to Product](#)**Illustration**

Product may differ from Image

**Technical Data**

Operating voltage	250 V AC
Operating current	10 A

**General data**

Mounting method	DIN-rail mountable (EN 60715)
Connection	Spring clamp terminals: max. 2x 1.5 mm <sup>2</sup> (AWG 16)
Dimensions HxWxD	68x47x56 mm

**Commercial data**

country of origin	HU
customs tariff number	85366990
EAN	4048879031295
eClass	27143423
Packaging unit	1