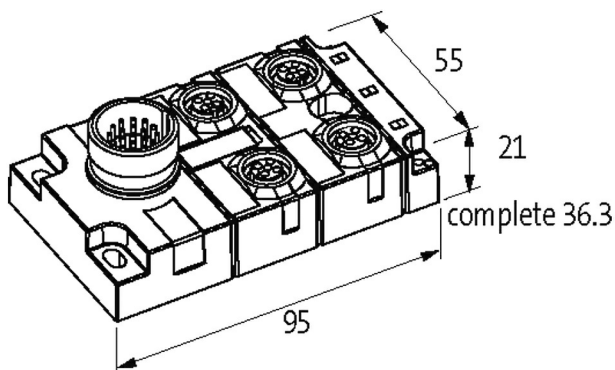


**MVP-METALL, 4XM12, 5POLE, M23 19POL. CON.**

Connector exit frontside

4-way, 5-pole  
M23 plug connection, 19-pole  
with LED for digital PNP-signals 24 V DC  
Replaces identical product (Art.No. 27530)

**Link to Product****Illustration**

Product may differ from Image

**Technical Data**

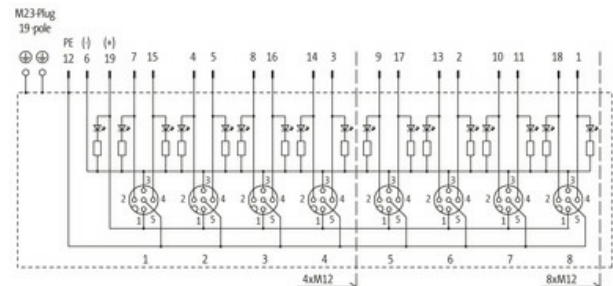
Operating voltage	24 V DC
Operating current per contact	max. 4 A
Protection	IP65, IP67, IP68
Housing	Zinc die casting, matte nickel plated
Total current	max. 7.5 A

**General data**

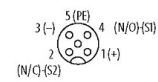
Temperature range	-25...+90 °C
-------------------	--------------

**Contact Layout**

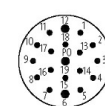
PIN 1	(+)
-------	-----



M12-Females 5-pole

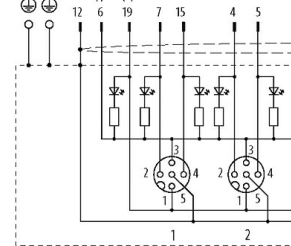


M23-Plug 19-pole



M23-Plug

19-pole



for 2 signals per port

PIN 2	(NC)/(S2)
PIN 3	(-)
PIN 4	(NO)/(S1)
PIN 5	(Earth)
	LED (green): Power / LED (yellow): (S1/S2)

**Commercial data**

country of origin	CZ
customs tariff number	85369010
EAN	4048879352857
eClass	27279219
Packaging unit	1.000