

MICO electronic circuit protection, 4 CHANNELS

IN: 24 V DC OUT: 24 V DC / 4-6-8-10 A

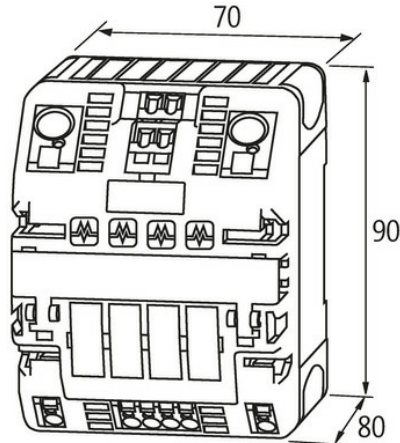
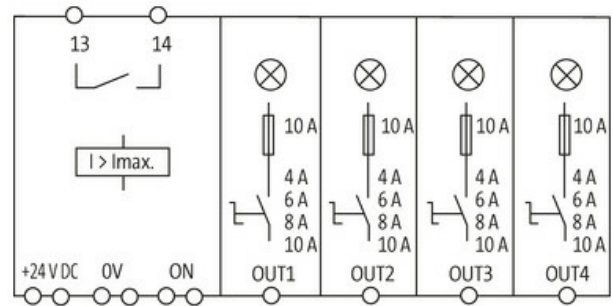
MICO 4.10

4 channels

Current adjustment 4, 6, 8, 10 A

[Link to Product](#)

Illustration



Product may differ from Image



General data

Mounting method	DIN-rail mountable TH35 (EN 60715)
Temperature range	0...+55 °C (storage temperature -40...+80 °C)
Connection	Spring clamp terminals
Dimensions HxWxD	90x70x80 mm
Bridging concept	two sides, with spring clamp terminals or bridge set (max. 40 A)
Output terminals	per output 1 x 4 mm ²
Input terminals	2 x 16 mm ²

The information in this brochure has been compiled with the utmost care. Liability for the correctness completeness and topicality of the information is restricted to gross negligence. Version: 03/22

Murrelektronik Ltd. | 5 Albion Street, Pendlebury Industrial Estate, Swinton | Manchester M27 4FG | Fon +44 161 728 3133 | Fax +44 161 728 3130 | shop@murrelektronik.co.uk | shop.murrelektronik.co.uk

Alarm terminals 2.5 mm²

Output

Inrush capacity max. 20 mF (per channel)

Current adjustment 4 A, 6 A, 8 A, 10 A, by countersunk rotary switch, sealed

Input

Operating voltage 24 V DC (18...30 V DC)

Control inputs

Input voltage (ON) 10...30 V DC

Impulse length (ON) min. 20 ms

Control outputs

Group alarm output potential free 30 V AC/DC, 100 mA

Commercial data

country of origin CZ

customs tariff number 85363010

EAN 4048879000062

eClass 27371802

Packaging unit 1.000