

RJ45 professional male 45° 8 pol. shielded

Gigabit

Ethernet CAT6A

Male 90°

RJ45, 8-pole
shielded

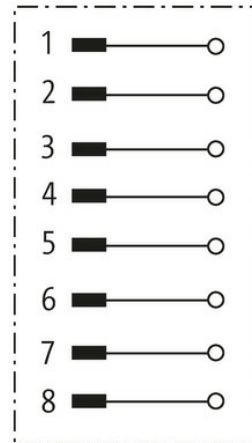
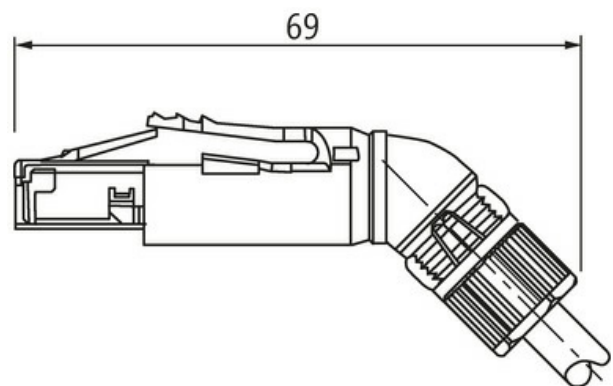
IDC terminals

Protection IP20

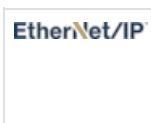
Quick connection technology

Plastic housings with good resistance against chemicals and oils.

The resistance to aggressive media should be individually tested for your application. Further details on request.

[Link to Product](#)**Illustration****Male**

Product may differ from Image

**Form**

Form

74031

Technical Data

The information in this brochure has been compiled with the utmost care.

Liability for the correctness completeness and topicality of the information is restricted to gross negligence. Version: 03/22

Murrelektronik Ltd. | 5 Albion Street, Pendlebury Industrial Estate, Swinton | Manchester M27 4FG | Fon +44 161 728 3133 | Fax +44 161 728 3130 | shop@murrelektronik.co.uk | shop.murrelektronik.co.uk

Operating voltage	max. 60 V DC
Operating current per contact	max. 1.76 A
Transfer parameters	CAT6, Class EA (ISO/IEC 11801:2002), (EN 50173-1)
Transfer rate	10 Gbit/s
Connection cross section	0.14...0.34 mm ² (AWG 26...22)
Sealing range (cable Ø)	4.5...8.0 mm
Protection	IP20
Outer wire Ø	max. 1.6 mm

General data

Temperature range	-40...+70 °C
-------------------	--------------

Commercial data

country of origin	RO
customs tariff number	85366990
EAN	4048879355551
eClass	27279221
Packaging unit	1.000