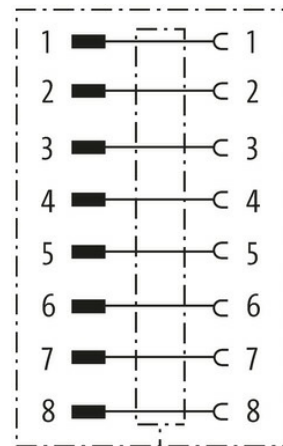
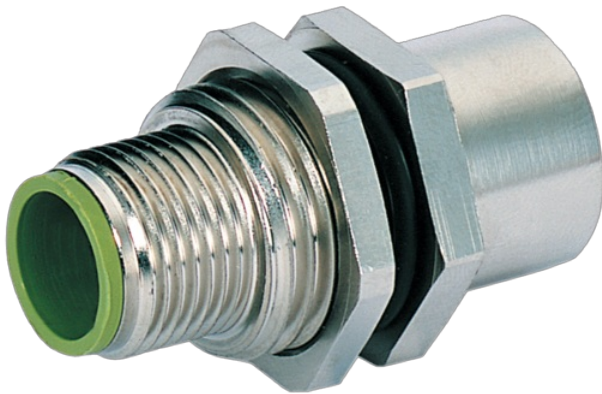


## M12 bulkhead receptacles V2A

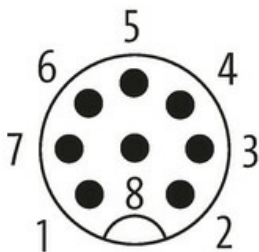
Control cabinet entry system  
 Male - female  
 M12, 8-pole  
 A-coded  
 shielded  
 Stainless steel 1.4305 (V2A)

### [Link to Product](#)

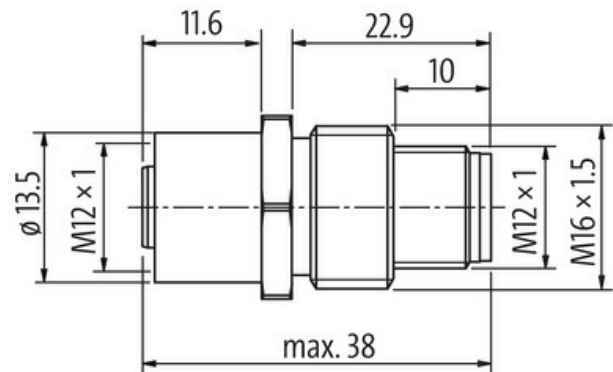
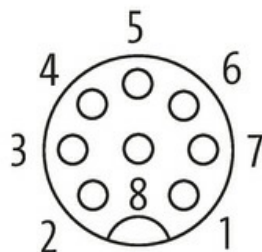
#### Illustration



Male



Female



Product may differ from Image

#### Form

Form 48111

#### Technical Data

Operating voltage	max. 30 V AC/DC
Operating current per contact	max. 1.5 A
Locking of ports	Screw thread (M12×1 mm) recommended torque 0.6 Nm, self-securing
Protection	IP67 inserted and tightened (EN 60529)
Material	Stainless steel 1.4305 (V2A)

#### General data

Temperature range	-25...+85 °C
Mounting set	M16×1.5 mm

#### Commercial data

country of origin	CZ
-------------------	----

customs tariff number	85366990
EAN	4048879566216
eClass	27279221
Packaging unit	1.000