

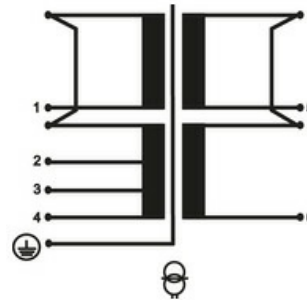
MET SINGLE-PHASE CONTROL AND ISOLATION TRANSFORMER

P:3000VA IN:400VAC±5% OUT:230VAC

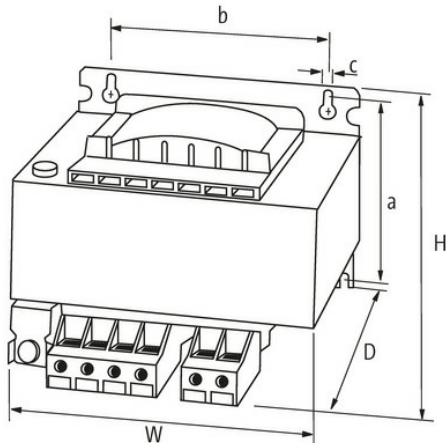
Single-phase - Control and Isolation Transformers
3000 VA
Isolation class T 60/B

[Link to Product](#)

Illustration



Eingang:	Klemme:
400V -5%	1+2
400V	1+3
400V +5%	1+4
Ausgang:	
230 VAC	5+6



Product may differ from Image

General data

Standards	EN 61558-1, EN 61558-2-4, EN 62041 category 0
Mounting method	Key-hole mounting
Temperature range	-25...+70 °C (storage temperature -40...+80 °C)
Test isolation voltage	4.7 kV
Drill hole Ø	9x14 mm
Fixing centers a×b×c	200×174×9 mm
Dimensions H×W×D	210×197×250 mm

Output

Output voltage	230 V AC
Output rating	3000 VA

Input

Input voltage	400 V AC \pm 5%
Inrush current	170 A (400 V AC)
Short-circuit current	620 A (400 V AC)
Input current	7.9 A (400 V AC)
Frequency	50..60 Hz

Commercial data

country of origin	CZ
customs tariff number	85043200
EAN	4048879283014
eClass	27031202
Packaging unit	1.000