

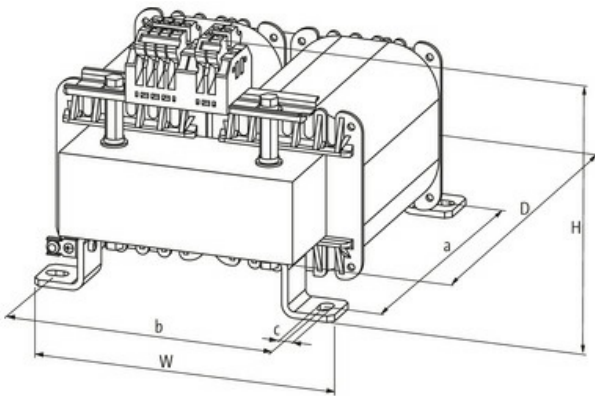
MET 1-PHASE CONTROL AND ISOLATION TRANSFORMER

P: 3000VA IN: 400VAC+/- 5% OUT: 230VAC

Single-phase - Control and Isolation Transformers
3000 VA
Isolation class T 40/B

[Link to Product](#)

Illustration



Product may differ from Image



General data

| | |
|------------------------|---|
| Standards | EN 61558-1, EN 61558-2-4, EN 62041 category 0 |
| Mounting method | Long-hole mounting |
| Temperature range | -20...+40 °C (storage temperature -40...+80 °C) |
| Test isolation voltage | 4 kV (prim./sec.) |
| Drill hole Ø | 9×14 mm |
| Fixing centers a×b×c | 200×174×9 mm |
| Dimensions H×W×D | 195×198×250 mm |

Output

The information in this brochure has been compiled with the utmost care.
Liability for the correctness completeness and topicality of the information is restricted to gross negligence. Version: 03/22

| | |
|------------------------|--------------------|
| Output voltage | 230 V AC |
| Output rating | 3000 VA |
| Input | |
| Input voltage | 400 V AC $\pm 5\%$ |
| Inrush current | 208 A (400 V AC) |
| Short-circuit current | 356 A (400 V AC) |
| Input current | 7.66 A (400 V AC) |
| Frequency | 50...60 Hz |
| Commercial data | |
| country of origin | CZ |
| customs tariff number | 85043200 |
| EAN | 4048879078801 |
| eClass | 27031302 |
| Packaging unit | 1.000 |