

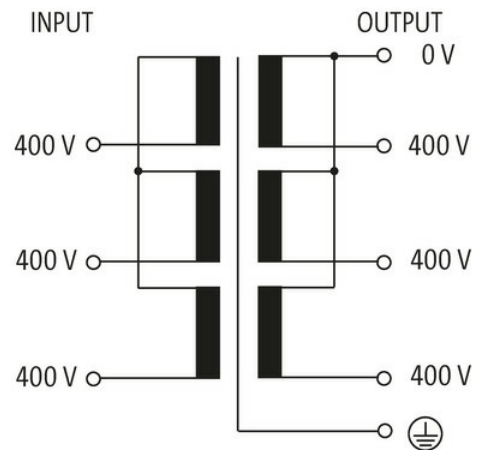
## MDT THREE-PHASE CONTROL AND ISOLATION TRANSFORMER

P:2000VA IN:3x400VAC OUT:3x400VAC

3-phase isolation transformer  
2000 VA  
Isolation class T 40/B  
Other voltages on request.

### [Link to Product](#)

#### Illustration



Product may differ from Image

#### General data

|                        |                                                 |
|------------------------|-------------------------------------------------|
| Standards              | EN 61558-1, EN 61558-2-4, EN 62041 category 0   |
| Mounting method        | screw fixing                                    |
| Temperature range      | -20...+40 °C (storage temperature -20...+80 °C) |
| Test isolation voltage | 5.8 kV (prim./sec.)                             |
| Drill hole Ø           | 11×15 mm                                        |
| Fixing centers a×b×c   | 115×190×11 mm                                   |
| Dimensions H×W×D       | 141×240×265 mm                                  |

#### Output

|                |             |
|----------------|-------------|
| Output voltage | 3× 400 V AC |
| Output rating  | 2000 VA     |

| Input                 |                     |
|-----------------------|---------------------|
| Input voltage         | 3× 400 V AC         |
| Inrush current        | 81 A (3× 400 V AC)  |
| Short-circuit current | 103 A (400 V AC)    |
| Input current         | 3.1 A (3× 400 V AC) |
| Frequency             | 50...60 Hz          |

| Commercial data       |               |
|-----------------------|---------------|
| country of origin     | CZ            |
| customs tariff number | 85043200      |
| EAN                   | 4048879073905 |
| eClass                | 27031301      |
| Packaging unit        | 1.000         |