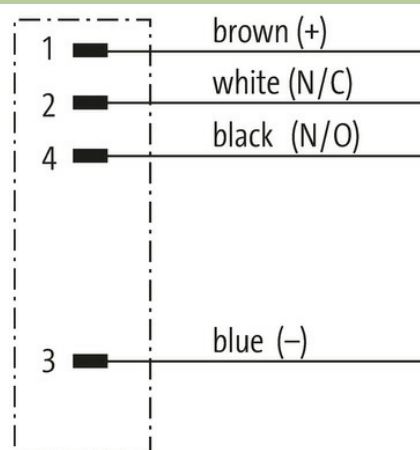


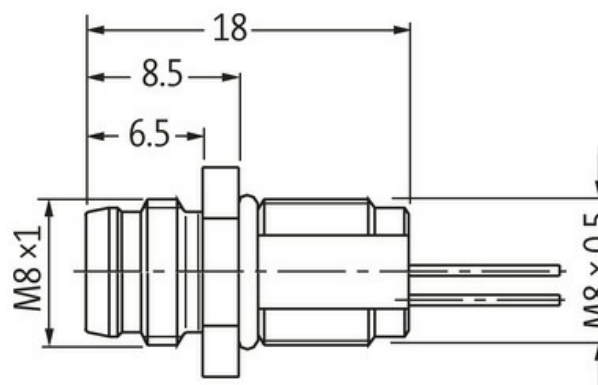
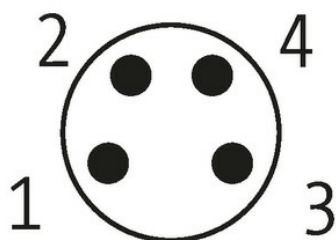
M8 MALE FLANGE PLUG 1-2-3-4

Wire 4x0.25 0.2m

Flange male
M8, 4-pole
Front mounting
with multi-strand wire

[Link to Product](#)**Illustration**

Male



Product may differ from Image

Form

Form 08561

Technical Data

Operating voltage	max. 50 V AC/60 V DC
Rated surge voltage	0.8 kV
Operating current per contact	max. 4 A
Material group	IEC 60664-1, category I
Locking of ports	Screw thread (M8x1 mm) recommended torque 0.4 Nm, self-securing
Protection	IP67/IP66K, IP67 inserted and tightened (EN 60529)
Over voltage category	II

General data

The information in this brochure has been compiled with the utmost care.
Liability for the correctness completeness and topicality of the information is restricted to gross negligence. Version: 03/22

Standards	DIN EN 61076-2-104 (M8)
-----------	-------------------------

Material (contact)	Brass, gold plated
--------------------	--------------------

Temperature range	-40...+85 °C
-------------------	--------------

Cables

No./diameter of wires	4× 0.34 mm ²
-----------------------	-------------------------

Wire isolation	PUR
----------------	-----

Outer Ø	1.3 mm ±5%
---------	------------

Cable number	971
--------------	-----

Temperature range (fixed)	-40...+90 °C
---------------------------	--------------

Temperature range (mobile)	-25...+90 °C
----------------------------	--------------

Bend radius (fixed)	5× outer Ø
---------------------	------------

Commercial data

country of origin	DE
-------------------	----

customs tariff number	85444290
-----------------------	----------

EAN	4048879224574
-----	---------------

eClass	27279220
--------	----------

Packaging unit	1.000
----------------	-------