

**M12 Xtreme female 90° with cable**

PUR 3x0.75 bk UL/CSA+drag ch. 3m

Xtreme - Outdoor

Female 90°

M12, 3-pole

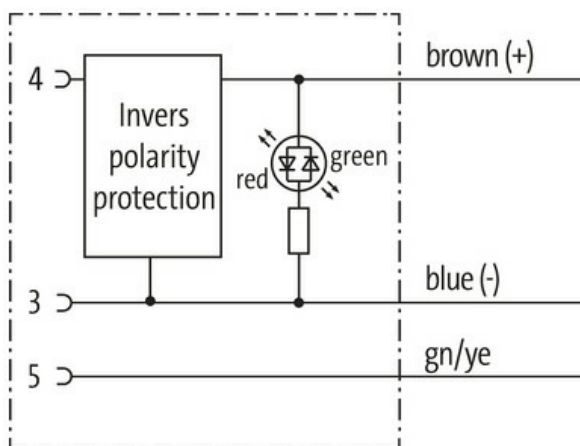
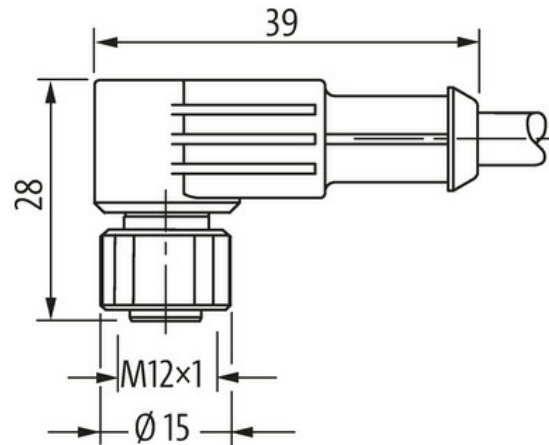
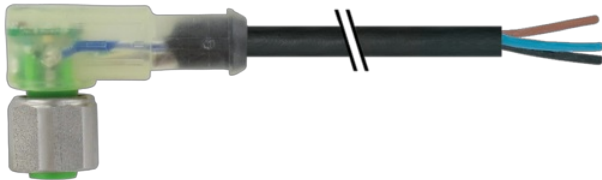
2x LED (PNP)

Invers-polarity protection

Plastic housings with good resistance against chemicals and oils.

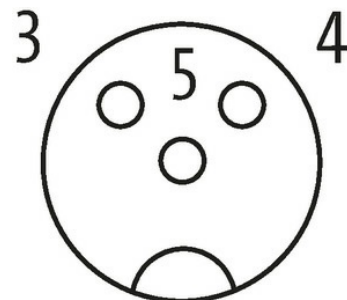
The resistance to aggressive media should be individually tested for your application. Further details on request.

Further cable lengths on request.

**Link to Product****Illustration**

Product may differ from Image

Female



CSA

CSA

**Form**

Form

13701

**Technical Data**

The information in this brochure has been compiled with the utmost care.

Liability for the correctness completeness and topicality of the information is restricted to gross negligence. Version: 03/22

Murrelektronik Ltd. | 5 Albion Street, Pendlebury Industrial Estate, Swinton | Manchester M27 4FG | Fon +44 161 728 3133 | Fax +44 161 728 3130 | shop@murrelektronik.co.uk | shop.murrelektronik.co.uk

|                               |   |
|-------------------------------|---|
| Operating voltage             | 24 V DC $\pm$ 15%   |
| Operating current per contact | max. 4 A  |
| Coding                        | A-coded   |
| LED display                   | LED (red/green)   |
| Locking of ports              | Screw thread (M12 $\times$ 1 mm) recommended torque 0.6 Nm, self-securing |
| Compression gland             | M12 (SW14)  |
| Protection                    | IP65, IP66K, IP67, IP68 inserted and tightened (EN 60529)                 |
| Material                      | PUR   |
| Locking material              | Stainless steel 1.4305 (V2A)  |

#### General data

|                   |  |
|-------------------|--|
| Temperature range | -25...+85 °C, depending on cable quality |
|-------------------|--|

#### Cables

|                                     |  |
|-------------------------------------|--|
| Cable identification                | 662  |
| Cable Type                          | PUR-JB   |
| Approval (cable)                    | UL (AWM-Style 20549/10978), CSA; CE conform  |
| Cable weight [g/m]                  | 53,9 g   |
| Material (wire)                     | Cu wire, bare  |
| Resistor (core)                     | max. 26 $\Omega$ /km (20 °C)   |
| Single wire $\varnothing$ (core)    | 0.15 mm  |
| Construction (core)                 | 42 $\times$ 0.15 mm (multi-strand wire class 6)  |
| Diameter (core)                     | 3 $\times$ 0.75 mm <sup>2</sup>  |
| AWG                                 | similar to AWG 18  |
| Material (wire isolation)           | PP   |
| Material property (wire isolation)  | CFC-, halogen-, cadmium-, silicone- and lead-free  |
| Shore hardness (wire isolation)     | 55 $\pm$ 5 D   |
| Wire- $\varnothing$ incl. isolation | 1.7 mm $\pm$ 5%  |
| Color/numbering of wires            | br, bl, gnye longitudinally striped  |
| Stranding combination               | 3 wires twisted  |
| Shield                              | no   |
| Material (jacket)                   | PUR  |
| Material property (jacket)          | CFC-, halogen-, cadmium-, silicone- and lead-free, matt, low-adhesion, machine easy to process, abrasion-resistant, hydrolysis and microbial resistant |
| Shore hardness (jacket)             | 80 $\pm$ 5 A   |
| Outer- $\varnothing$ (jacket)       | 5.9 mm $\pm$ 5%  |
| Color (jacket)                      | black  |
| chemical resistance                 | good resistance to oil, gasoline and chemicals (VDE 0472 Teil 803 Test B)  |
| thermal resistance                  | flame retardant UL, CSA FT2 / IEC 60332-2-2  |
| Nominal voltage                     | 300 V AC   |
| Test voltage                        | 2000 V AC  |
| Current load capacity               | to DIN VDE 0298-4  |
| Temperature range (fixed)           | -40...+80 °C   |
| Temperature range (mobile)          | -20...+80 °C   |
| Bend radius (fixed)                 | 10 $\times$ outer $\varnothing$  |
| Bend radius (moving)                | 15 $\times$ outer $\varnothing$  |
| No. of bending cycles (C-track)     | max. 2 Mio. (25 °C)  |
| Travel speed (C-track)              | max. 3.3 m/s   |
| Acceleration (C-track)              | max. 5 m/s <sup>2</sup>  |

#### Commercial data

|                       |               |
|-----------------------|---------------|
| country of origin     | DE            |
| customs tariff number | 85444290      |
| EAN                   | 4048879453516 |
| eClass                | 27279218      |
| Packaging unit        | 1.000         |