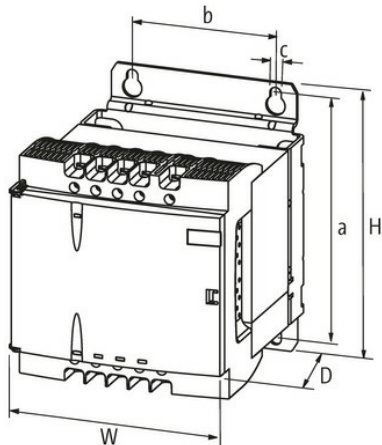


MTL 1-PHASE SAFETY TRANSFORMER

P: 40VA IN: 230/400VAC +/- 15VAC OUT: 2x24VAC

Single-phase safety transformer
40 VA
Isolation class T 60/B

[Link to Product](#)**Illustration**

Product may differ from Image

**Technical Data**

LED display LED (green) for input voltage

General data

| | |
|------------------------|--|
| Standards | EN 61558-2-4, EN 61558-2-6, EN 62041 category 0 |
| Mounting method | DIN-rail mountable TH35-15 (EN 60715) or for key-hole mounting |
| Temperature range | -20...+60 °C, no condensation |
| Test isolation voltage | 5.1 kV (prim./sec.) |

| | |
|----------------------|---------------|
| Drill hole Ø | 5.5×9 mm |
| Fixing centers a×b×c | 96×60×5.5 mm |
| Dimensions H×W×D | 108×87×104 mm |

Output

| | |
|----------------|------------------------|
| Output voltage | 1× 24/1× 48/2× 24 V AC |
| Output rating | 40 VA |

Input

| | |
|-----------------------|--------------------------------------|
| Input voltage | 230/400 ±15 V AC |
| Inrush current | 2.96 A (230 V AC); 1.71 A (400 V AC) |
| Short-circuit current | 3.2 A (230 V AC); 1.85 A (400 V AC) |
| Input current | 0.26 A (230 V AC); 0.15 A (400 V AC) |
| Frequency | 50...60 Hz |

Commercial data

| | |
|-----------------------|---------------|
| country of origin | CZ |
| customs tariff number | 85043180 |
| EAN | 4048879078344 |
| eClass | 27031302 |
| Packaging unit | 1.000 |