

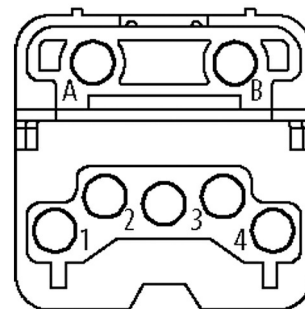
CUBE67 ACCESSORIES

System interface connector

M12
Male straight
Internal system connection

[Link to Product](#)**Illustration**

Female



- A: bus internal
B: bus internal
1: +24 V (US/4 A)
2: 0 V
3: 0 V
4: +24 V (UA/4 A)

Product may differ from image

Technical Data

Operating voltage	24 V DC
Operating current	max. 4 A
Mating cycles	min. 500

General data

Protection	IP65
Dimensions HxWxD	74x33.5x28.5 mm
Connection	Female M12, 6-pole, Han-Brid®, 6-pole
Temperature range	-40...+85 °C

Commercial data

country of origin	DE
customs tariff number	85366990
EAN	4048879047906
eClass	27242692
Packaging unit	1