

MOSA VALVE PLUG 8MM FIELD-WIREABLE (IDC)

Form C (8 mm)

24 V AC/DC $\pm 25\%$

LED and suppression

Bridged PE

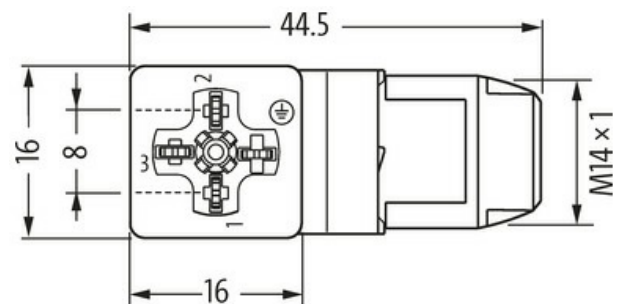
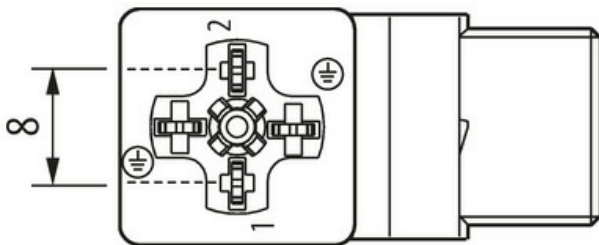
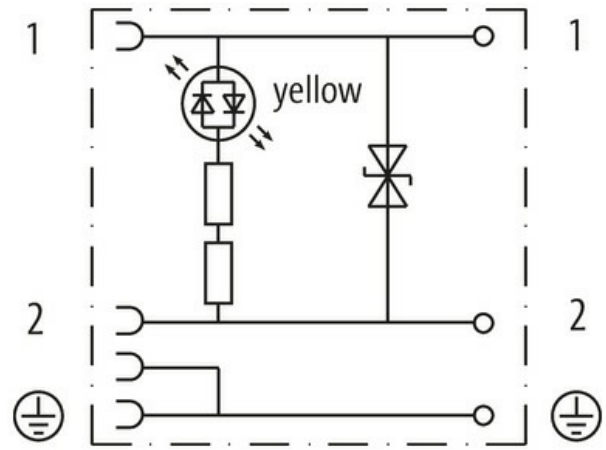
IDC terminals

Plastic housings with good resistance against chemicals and oils.

The resistance to aggressive media should be individually tested for your application. Further details on request.

[Link to Product](#)

Illustration



Height: 28 mm

Product may differ from Image

Form

Form 80091

Technical Data

Operating voltage	24 V AC/DC $\pm 25\%$
Operating current per contact	max. 3 A
Switch off peak	max. 53 V
Connection cross section	0.25...0.5 mm ² (conductor diameter min. 0.1 mm)
Sealing range (cable \varnothing)	4...6 mm
Protection	IP67 inserted and tightened (EN 60529)
Outer wire \varnothing	1.2...1.6 mm

General data

Temperature range -25...+85 °C

Mounting set	M14×1 mm
Dimensions H×W×D	28×16×44.5 mm

Commercial data

country of origin	CZ
customs tariff number	85366990
EAN	4048879132336
eClass	27279218
Packaging unit	1.000