

M23 SIGNAL CABLE

Specification: 6FX8002-2EQ14-1AF0

Signal cable for SINAMICS S120 and motors with connection M23

Female straight – male straight

M23 – M23, 17-pole

without cable sleeves

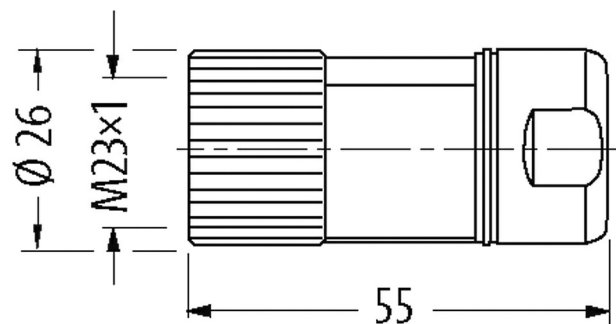
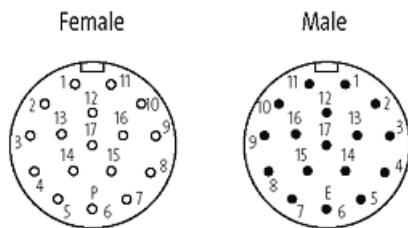
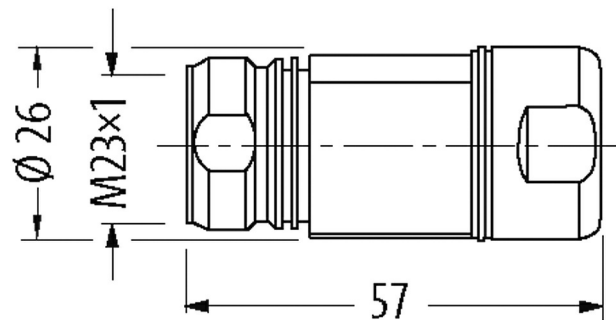
Further cable lengths on request.

The resistance to aggressive media should be individually tested for your application. Further details on request.

Plastic housings with good resistance against chemicals and oils.

Link to Product

Illustration



Product may differ from Image

Form

Form SS165

Technical Data

Operating voltage	max. 30 V AC/DC
Rated surge voltage	0.5 kV
Material group	IEC 60664-1, category I
Locking of ports	Screw thread (M23×1 mm) recommended torque 2.0 Nm, self-securing
Protection	IP66K, IP67 inserted and tightened (EN 60529)
Locking material	Brass, nickel plated
Material	PUR
suitable for corrugated tube (internal Ø)	without

General data

Pollution Degree	3
Temperature range	-25...+85 °C, depending on cable quality

Cables

Cable number	811
No./diameter of wires	3× (2×0.14D) + 2× 0.5 + 4× 0.14 + 4× 0.22)-C
Wire isolation	PP (ye, gn, bk, br, rd, or, brrd brbl, gr, bl, whye, whbk, brye, brgr, gnbk, gnrd)
C-track properties	10 Mio.
Jacket Color	green
Material (jacket)	PUR (UL/CSA)
Outer Ø	9.5 mm ±5%
Bend radius (moving)	12× outer Ø
Temperature range (fixed)	-50...+80 °C
Temperature range (mobile)	-20...+60 °C
Shield	yes
Bend radius (fixed)	10× outer Ø
Approval (cable)	UL (AWM-Style 20236/1589), CSA; CE

Commercial data

country of origin	DE
customs tariff number	85444290
EAN	4048879483506
eClass	27279218
Packaging unit	1