

## UNIVERSAL CONTACTOR SUPPRESSOR

RC, 48VDC15VA/W

48 V AC/DC

RC

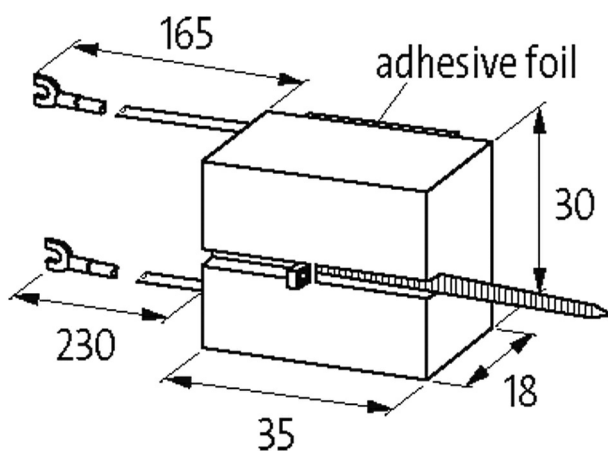
For other configurations and voltages, please inquire.

### [Link to Product](#)

#### Illustration



RC



Product may differ from Image



#### Technical Data

Input voltage	24...48 V AC/DC
Material	Flame retardant plastic acc. to (UL 94)
Damping factor	approx. 1.5× UN
Connection wires	self-securing cable forks
max. power (W)	15 W (VA)

#### General data

Temperature range	-20...+70 °C
-------------------	--------------

The information in this brochure has been compiled with the utmost care.  
Liability for the correctness completeness and topicality of the information is restricted to gross negligence. Version: 03/22

Dimensions H×W×D 35×30×18 mm

**Appropriate contactors**

universal

**Commercial data**

country of origin	CZ
customs tariff number	85363010
EAN	4048879020657
eClass	27371013
Packaging unit	1.000