

**M12 MALE 90° FIELD-WIREABLE SCREW TERM.**4-pol. max.0,75mm<sup>2</sup> 6-8mm

Male 90°

M12, 4-pole

Screw terminals

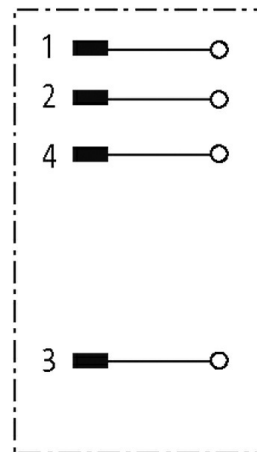
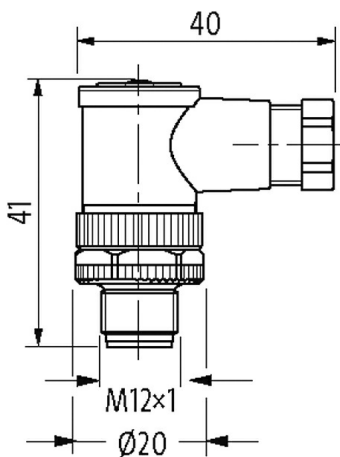
Sealing range (cable Ø): 6...8 mm

Plastic housings with good resistance against chemicals and oils.

The resistance to aggressive media should be individually tested for your application. Further details on request.

[Link to Product](#)**Illustration**

Male



Product may differ from Image

**Form**

Form 12861

**Technical Data**

Operating voltage max. 250 V AC/DC

Operating current per contact max. 4 A

Connection cross section	max. 0.75 mm <sup>2</sup>
Sealing range (cable Ø)	6...8 mm
Locking of ports	Screw thread (M12×1 mm) recommended torque 0.6 Nm, self-securing
Protection	IP67 inserted and tightened (EN 60529)

**General data**

Temperature range	-40...+85 °C
Dimensions H×W×D	41×35×20 mm

**Commercial data**

country of origin	DE
customs tariff number	85366990
EAN	4048879201582
eClass	27279221
Packaging unit	1