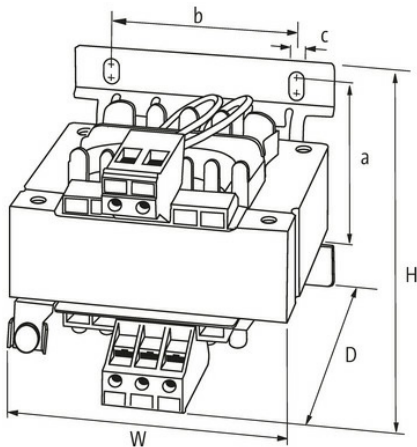
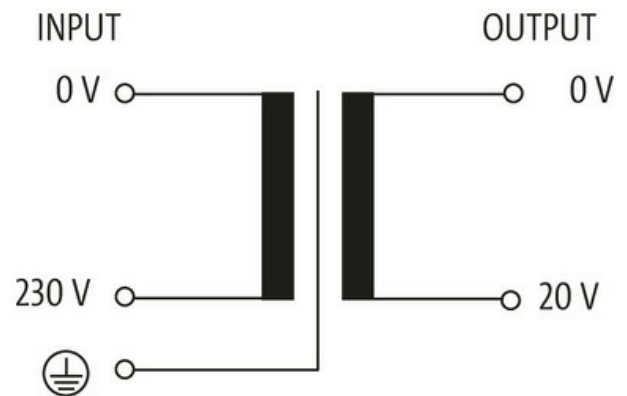
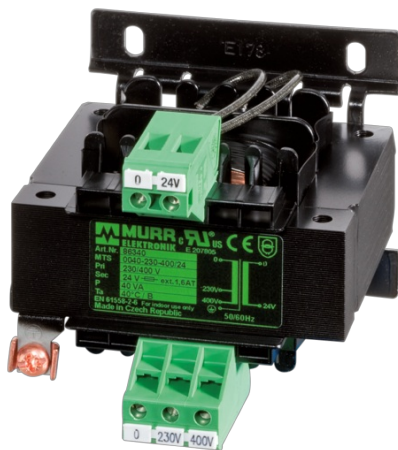


**MST SINGLE-PHASE SAFETY TRANSFORMER**

P:100VA IN:230VAC OUT:20VAC

Single-phase - Control and Isolation Transformers  
 100 VA  
 Isolation class T 40/B  
 Other voltages on request.

[Link to Product](#)**Illustration**

Product may differ from Image

**General data**

Standards	EN 61558-2-6, EN 62041 category 0
Mounting method	Key-hole mounting
Temperature range	-20...+40 °C (storage temperature -40...+80 °C)
Test isolation voltage	3.8 kV
Drill hole Ø	4.8x12 mm
Fixing centers a×b×c	65.3×64×4.8 mm
Dimensions H×W×D	88×85×95 mm

**Output**

Output voltage	20 V AC
Output rating	100 VA

Input	
Input voltage	230 V AC
Inrush current	5 A (230 V AC)
Short-circuit current	7 A (230 V AC)
Input current	0.52 A (230 V AC)
Frequency	50...60 Hz
Commercial data	
country of origin	CZ
customs tariff number	85043180
EAN	4048879318068
eClass	27031202
Packaging unit	1.000