

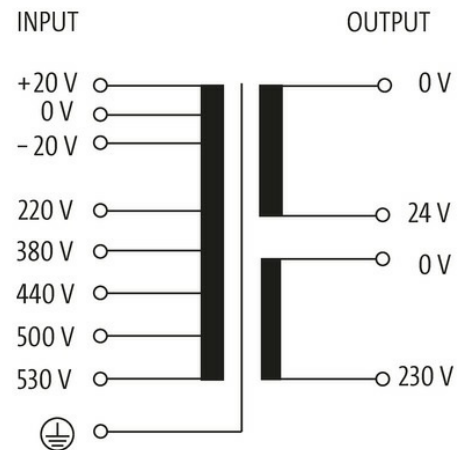
## MET SINGLE-PHASE CONTROL AND ISOLATION TRANSFORMER

P:500VA IN:220...530VAC±20VAC OUT:24/230VAC

Single-phase safety transformer  
500 VA  
Isolation class T 40/B  
Other voltages on request.

### [Link to Product](#)

#### Illustration



Product may differ from Image

#### General data

Standards	EN 61558-1, EN 61558-2-6, EN 62041 category 0
Mounting method	Key-hole mounting
Temperature range	-20...+60 °C (storage temperature -20...+80 °C)
Test isolation voltage	6.3 kV (prim./sec.)
Drill hole Ø	7×15 mm
Fixing centers a×b×c	82×120×10 mm
Dimensions H×W×D	109×150×148 mm

#### Output

Output voltage	24/230 V AC
Output rating	500 VA

Input	
Input voltage	220, 380, 440, 500, 530 V AC
Inrush current	59 A (220 V AC); 27 A (530 V AC)
Short-circuit current	52 A (220 V AC); 22 A (530 V AC)
Input current	2.5 A (220 V AC); 1.1 A (530 V AC)
Frequency	50...60 Hz

Commercial data	
country of origin	CZ
customs tariff number	85043180
EAN	4048879073967
eClass	27031202
Packaging unit	1.000