

**EXACT8, 4XM8, 4 POLE**

Conn.M12 12 pole

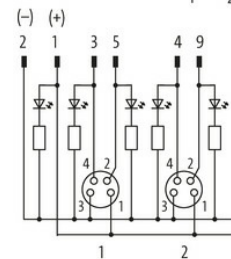
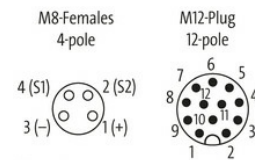
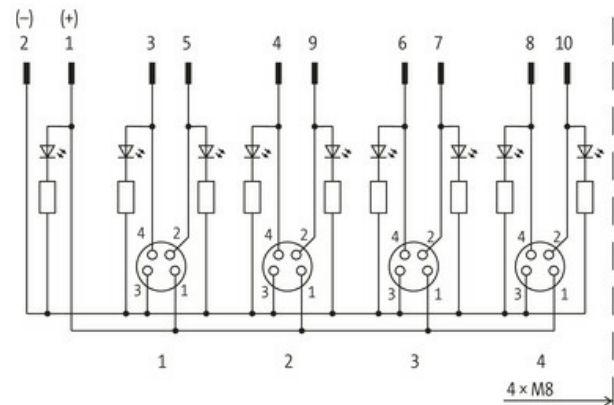
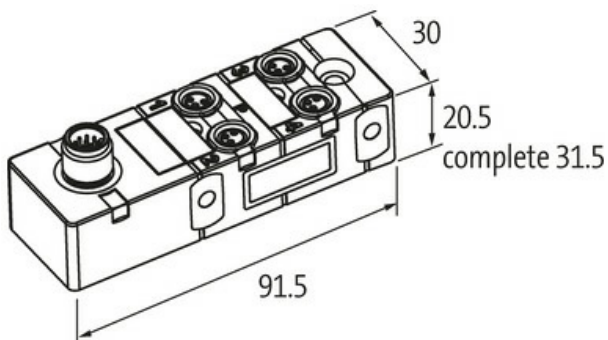
4-way, 4-pole

M12 (12-pole)

Inline face or side mounting

Plastic housings with good resistance against chemicals and oils.

The resistance to aggressive media should be individually tested for your application. Further details on request.

[Link to Product](#)**Illustration**

for 2 signals per port

Product may differ from Image

**Technical Data**

Operating voltage	24 V DC
Operating current per contact	max. 1.5 A
Protection	IP67 inserted and tightened (EN 60529)
Housing	Plastic, flame retardant

**General data**

Temperature range -20...+70 °C, depending on cable quality

**Contact Layout**

PIN 1	(+)
PIN 2	(NC)/(S2)
PIN 3	(-)
PIN 4	(NO)/(S1)
LED (green): Power / LED (yellow): (S1) / LED (white): Signal (S2)	

**Commercial data**

country of origin	DE
customs tariff number	85369010
EAN	4048879056090
eClass	27279219
Packaging unit	1.000