

**M12 female 90° wireable screw term. F&B PRO**4-pol. max.1,0mm<sup>2</sup> 3,5-6mm

M12 F&amp;B Pro

Female 90°

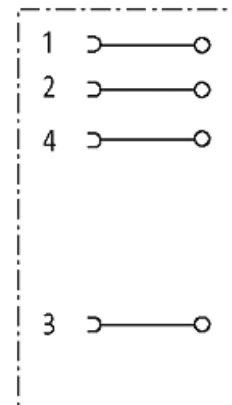
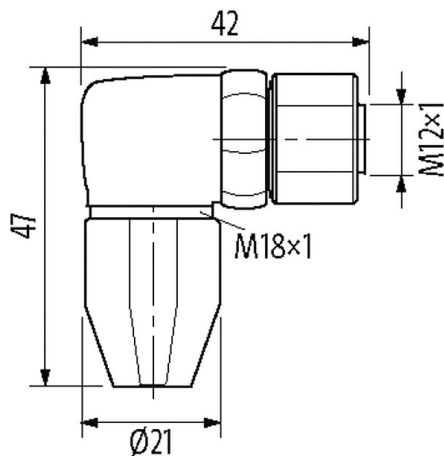
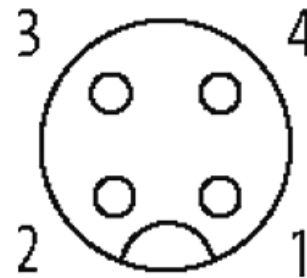
4-pole

Screw terminals

The resistance to aggressive media should be individually tested for your application. Further details on request.

[Link to Product](#)**Illustration**

Female



Product may differ from Image

**Technical Data**

Operating voltage	max. 250 V AC/300 V DC
Operating current per contact	max. 4 A
Connection cross section	0.25...1.0 mm <sup>2</sup>
Sealing range (cable Ø)	3.5...6.0 mm
Locking of ports	Screw thread (M12×1 mm) recommended torque 0.6 Nm
Compression gland	M12 (SW19)
Protection	IP65, IP68, IP69K inserted and tightened (EN 60529)
Material	PA
Locking material	Stainless steel

**General data**

Safety class	2
Temperature range	-25...+100 °C
Material (gasket)	EPDM
<b>Commercial data</b>	
country of origin	PL
customs tariff number	85366990
EAN	4048879804622
eClass	27279221
Packaging unit	1